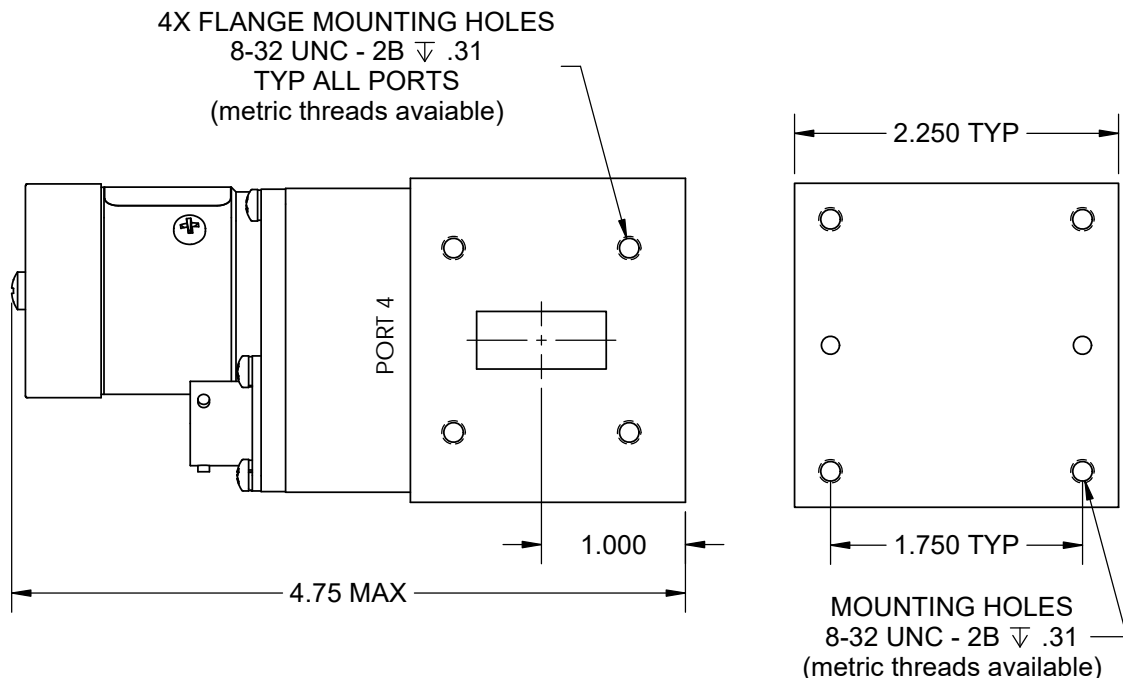
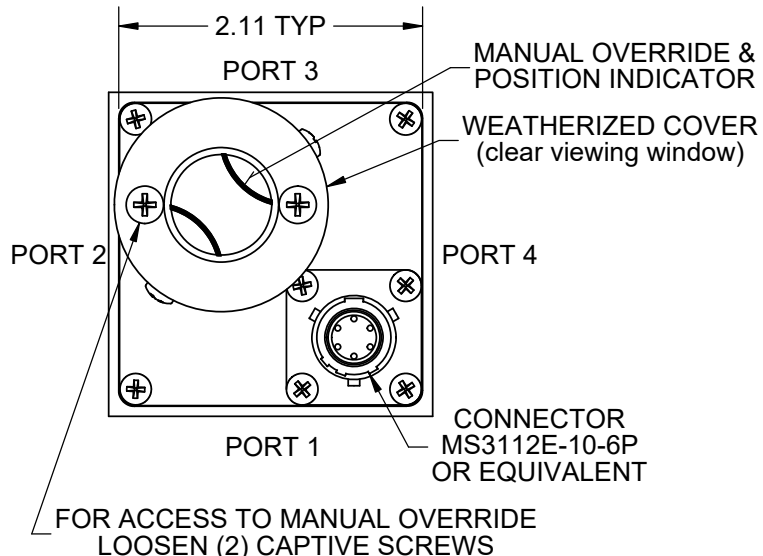




# Waveguide Switch - LW Series - WR90

REV. B



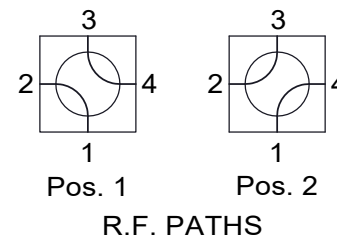
(See Model # Chart to select options)

ELECTRICAL CIRCUIT OPTIONS
NO INDICATORS
1 SET INDICATORS
2 SETS INDICATORS
3 SETS INDICATORS
4 SETS INDICATORS
INHIBIT CIRCUITS

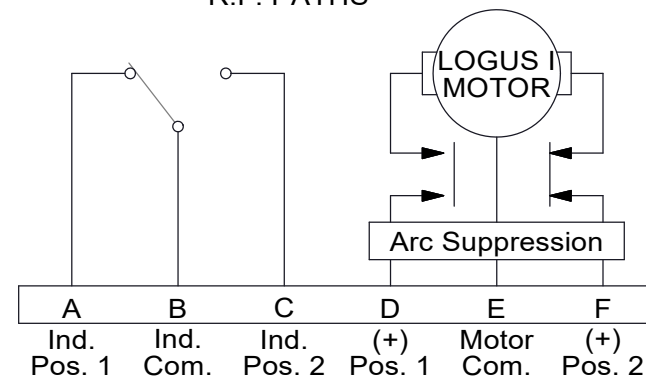
DRIVE OPTIONS
LATCHING
PULSE
LATCHING
FAILSAFE

VOLTAGE OPTIONS
12 VDC
15 VDC
24 VDC
28 VDC
48 VDC
115 VAC

FLANGE OPTIONS
COVER
GROOVE
CHOKE



R.F. PATHS



LATCHING, SHOWN IN POSITION 1

(See Schematic page for optional Electrical Circuits)

Frequency: 8.2 to 12.4 GHz  
 VSWR: 1.10:1 Max.  
 Insertion Loss: 0.07 dB Max.  
 Isolation: 80 dB Min.

Flange: See Flange Table  
 Voltage: See Voltage Table  
 Switching Time: 100 mS Max.

Material: Aluminum (RF Assy)  
 Finish: Iridite per MIL-DTL-5541  
 Paint Dull Black Enamel  
 Pressure: 30 PSIG (RF Head Only)  
 Drive: Patented Logus I Motor

Temp: Operating: -40°C to +85°C  
 Non-Operating: -55°C to +100°C  
 Humidity: 0 to 100%, Fully Weatherized

RoHS Available