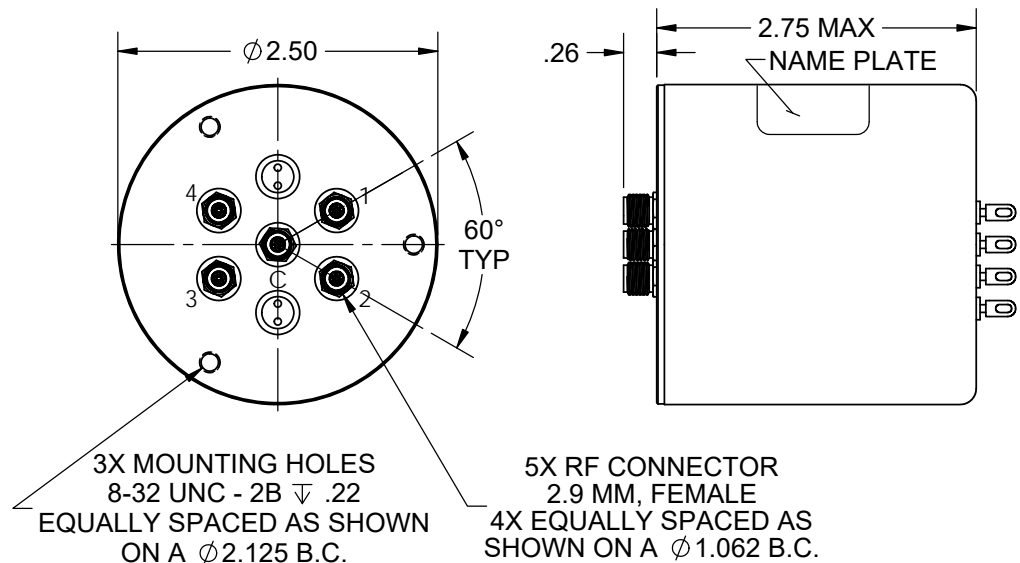




Coaxial Switch - S□C14BKF Series

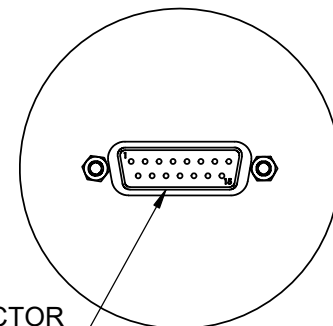
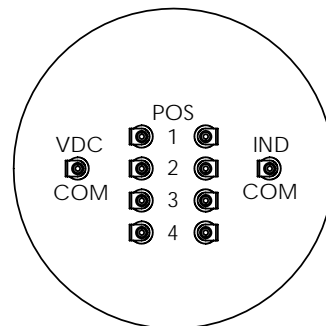
SP4T, 2.9 MM, Normally Open, 1 Set Indicators

REV. A



OPTION 1 - SOLDER TERMINALS

OPTION 4 - D-SUB



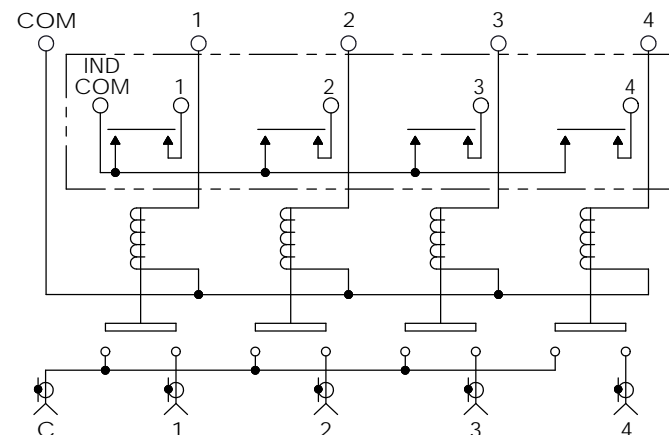
STANDARD - 1 SET INDICATORS

OPTION A - NO INDICATORS

| | | | | | |
|-----------------------|---------|---------|----------|------------|------------|
| Frequency (GHz) | DC to 6 | 6 to 12 | 12 to 18 | 18 to 26.5 | 26.5 to 40 |
| VSWR (max.) | 1.3:1 | 1.4:1 | 1.5:1 | 1.7:1 | 2.0:1 |
| Insertion Loss (max.) | 0.2 dB | 0.4 dB | 0.5 dB | 0.7 dB | 0.9 dB |
| Isolation (min.) | 70 dB | 60 dB | 60 dB | 55 dB | 50 dB |
| R.F. Power (max.) | 100 WCW | 70 WCW | 45 WCW | 25 WCW | 10 WCW |

RF Impedance: 50 ohms
 Voltage: See Table
 Current: See Table

Material: Aluminum (RF Assy)
 RF Contacts: Break Before Make
 Finish: Iridite per MIL-DTL-5541, Type II Class 3
 Cover Black



SCHEMATIC SHOWN IN NORMALLY OPEN POSITION (DE ENERGIZED)

| STYLE | ENVIRONMENT | OPERATING TEMPERATURE | NON-OPERATING TEMPERATURE | HUMIDITY |
|-------|-------------|-----------------------|---------------------------|-----------|
| SO | SHELTERED | 0°C to +70°C | -40°C to +100°C | 0 to 95% |
| SW | OUTDOOR | -40°C to +85°C | -55°C to +100°C | 0 to 100% |
| SA | AIRBORNE | -54°C to +85°C | -55°C to +100°C | 0 to 100% |

| OPTION | VOLTAGE | CURRENT @ 20° C |
|--------|--------------|---------------------|
| 8 | 11 TO 13 VDC | 260 mA Max @ 12 VDC |
| 9 | 14 TO 16 VDC | 260 mA Max @ 15 VDC |
| 7 | 22 TO 26 VDC | 225 mA Max @ 24 VDC |
| 2 | 26 TO 30 VDC | 240 mA Max @ 28 VDC |

Model # ex. S□C14BKF [2] [A] [1]
 Style Voltage Indicators Interface

RoHS Compliant (except AIRBORNE)