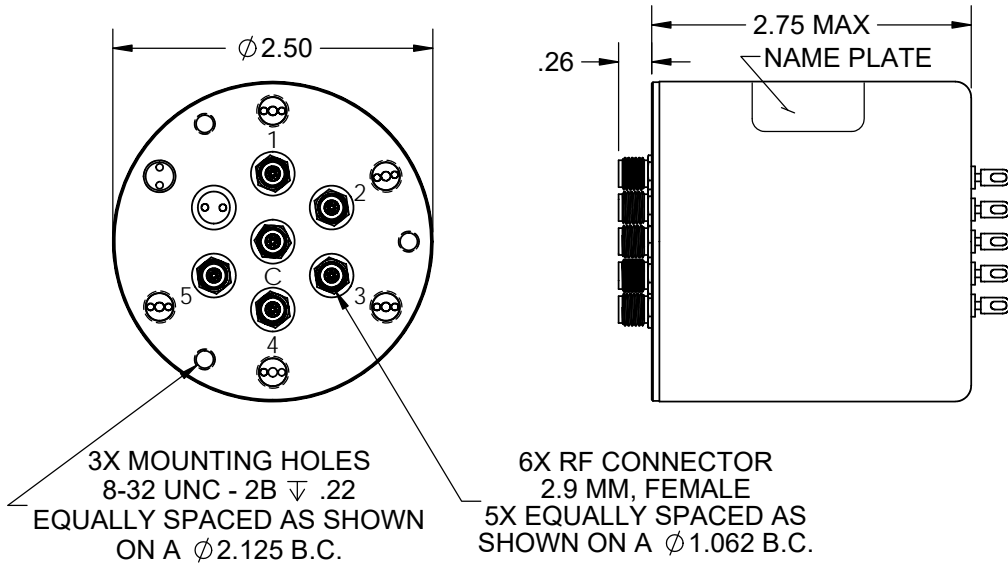




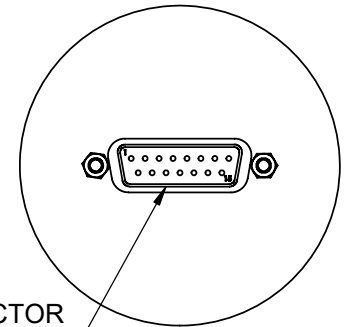
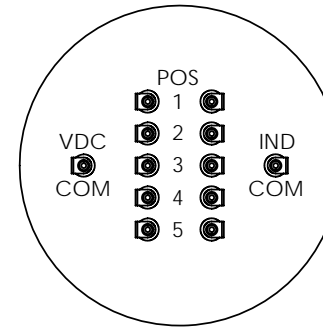
# Coaxial Switch - S□C15BKF Series

## SP5T, 2.9 MM, Normally Open, 1 Set Indicators



OPTION 1 - SOLDER TERMINALS

OPTION 4 - D-SUB



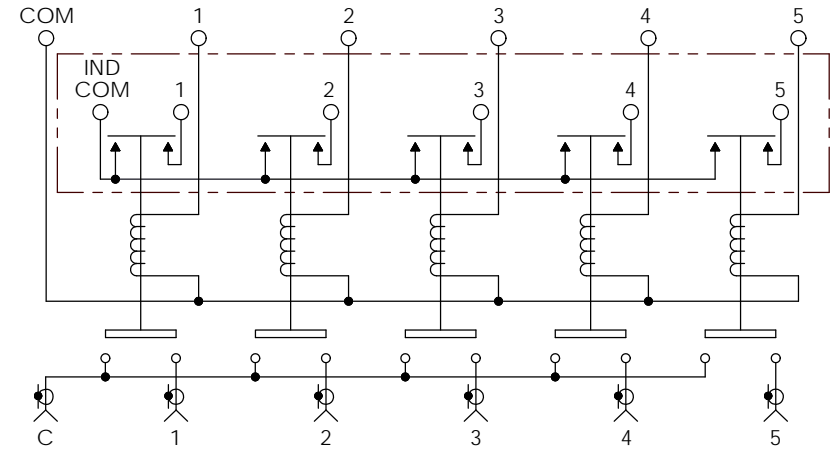
STANDARD - 1 SET INDICATORS

OPTION A - NO INDICATORS

Frequency (GHz)	DC to 6	6 to 12	12 to 18	18 to 26.5	26.5 to 40
VSWR (max.)	1.3:1	1.4:1	1.5:1	1.7:1	2.0:1
Insertion Loss (max.)	0.2 dB	0.4 dB	0.5 dB	0.7 dB	0.9 dB
Isolation (min.)	70 dB	60 dB	60 dB	55 dB	50 dB
R.F. Power (max.)	100 WCW	70 WCW	45 WCW	25 WCW	10 WCW

RF Impedance: 50 ohms  
Voltage: See Table  
Current: See Table  
Switching Time: 20 mS max.

Material: Aluminum (RF Assy)  
RF Contacts: Break Before Make  
Finish: Iridite per MIL-DTL-5541, Type II Class 3  
Cover Black



SCHEMATIC SHOWN IN NORMALLY OPEN POSITION (DE ENERGIZED)

STYLE	ENVIRONMENT	OPERATING TEMPERATURE	NON-OPERATING TEMPERATURE	HUMIDITY
SO	SHELTERED	0°C to +70°C	-40°C to +100°C	0 to 95%
SW	OUTDOOR	-40°C to +85°C	-55°C to +100°C	0 to 100%
SA	AIRBORNE	-54°C to +85°C	-55°C to +100°C	0 to 100%

OPTION	VOLTAGE	CURRENT @ 20° C
8	11 TO 13 VDC	260 mA Max @ 12 VDC
9	14 TO 16 VDC	260 mA Max @ 15 VDC
7	22 TO 26 VDC	225 mA Max @ 24 VDC
2	26 TO 30 VDC	240 mA Max @ 28 VDC

Model # ex. S□C15BKF [2] [A] [1]  
Style Voltage Indicators Interface