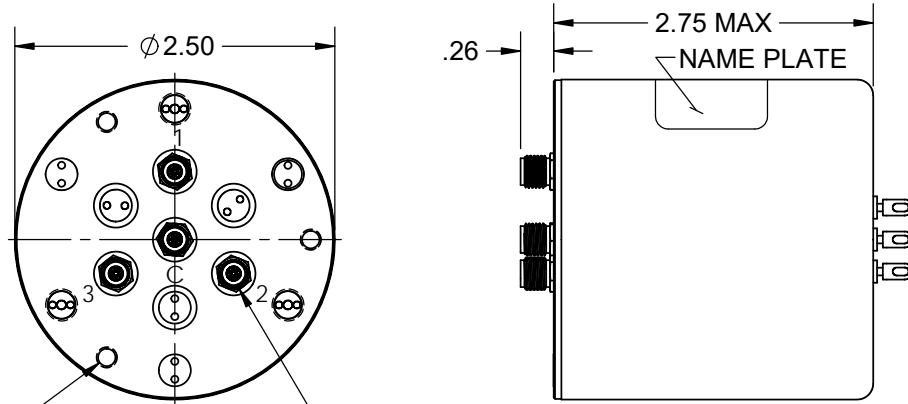




# Coaxial Switch - T C13BKL Series

REV. A

## Terminated, SP3T, 2.9 MM, Latching, 1 Set Indicators

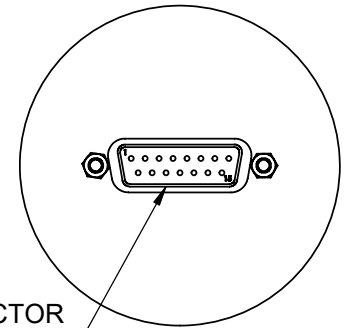
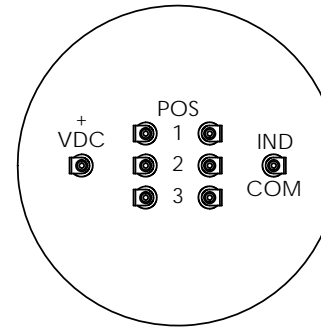


3X MOUNTING HOLES  
8-32 UNC - 2B  $\nabla$  .22  
EQUALLY SPACED AS SHOWN  
ON A  $\phi 2.125$  B.C.

4X RF CONNECTOR  
2.9 MM, FEMALE  
3X EQUALLY SPACED AS  
SHOWN ON A  $\phi 1.062$  B.C.

OPTION 1 - SOLDER TERMINALS

OPTION 4 - D-SUB



CONNECTOR  
15 PIN MALE

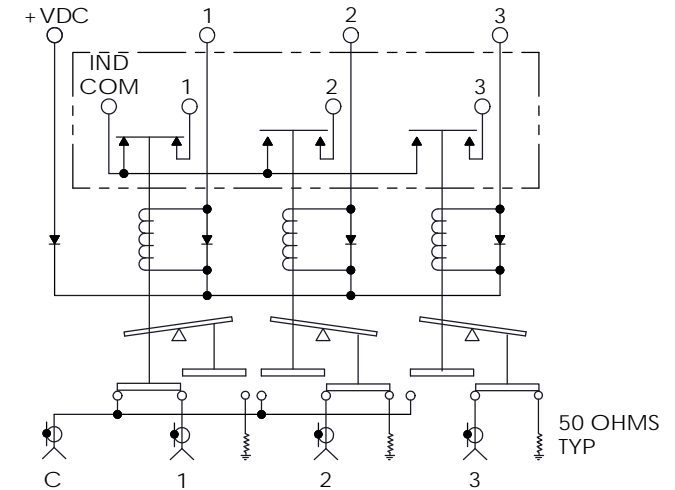
STANDARD - 1 SET INDICATORS

OPTION A - NO INDICATORS

Frequency (GHz)	DC to 6	6 to 12	12 to 18	18 to 26.5	26.5 to 40
VSWR (max.)	1.3:1	1.4:1	1.5:1	1.7:1	2.0:1
Insertion Loss (max.)	0.2 dB	0.4 dB	0.5 dB	0.7 dB	0.9 dB
Isolation (min.)	70 dB	60 dB	60 dB	55 dB	50 dB
R.F. Power (max.)	100 WCW	70 WCW	45 WCW	25 WCW	10 WCW

Termination Power: 1 WCW max. per Position  
RF Impedance: 50 ohms  
Voltage: See Table  
Current: See Table  
Switching Time: 20 mS max.

Material: Aluminum (RF Assy)  
RF Contacts: Break Before Make  
Finish: Iridite per MIL-DTL-5541, Type II Class 3  
Cover Black



SCHEMATIC SHOWN IN POSITION 1

STYLE	ENVIRONMENT	OPERATING TEMPERATURE	NON-OPERATING TEMPERATURE	HUMIDITY
TO	SHELTERED	0°C to +70°C	-40°C to +100°C	0 to 95%
TW	OUTDOOR	-40°C to +85°C	-55°C to +100°C	0 to 100%
TA	AIRBORNE	-54°C to +85°C	-55°C to +100°C	0 to 100%

OPTION	VOLTAGE	CURRENT @ 20° C
8	10 TO 14 VDC	500 mA Max @ 12 VDC
9	13 TO 18 VDC	350 mA Max @ 15 VDC
7	21 TO 28 VDC	225 mA Max @ 24 VDC
2	25 TO 32 VDC	240 mA Max @ 28 VDC

Model # ex. T C13BKL [2] [A] [1]  
Style Voltage Indicators Interface

RoHS Compliant (except AIRBORNE)