



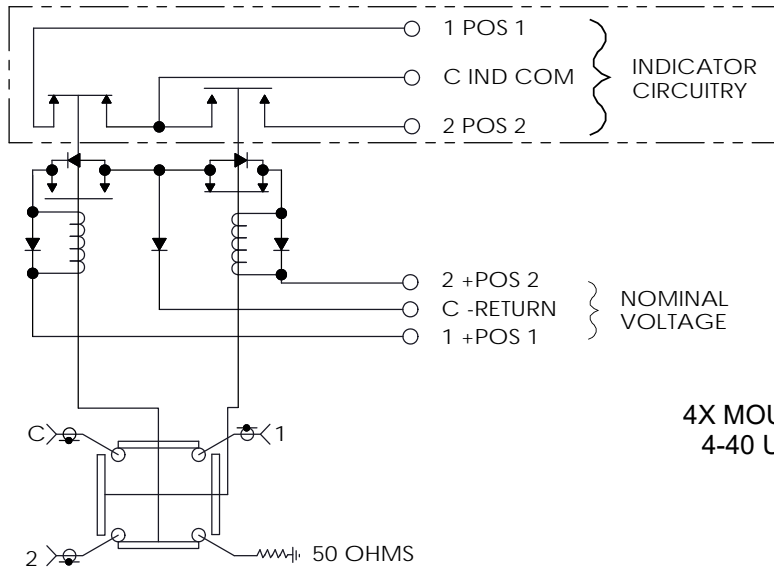
# Coaxial Switch - T C21BKL Series

## Terminated, SPDT, 2.9 MM, Latching, 1 Set Indicators

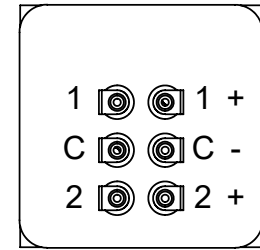
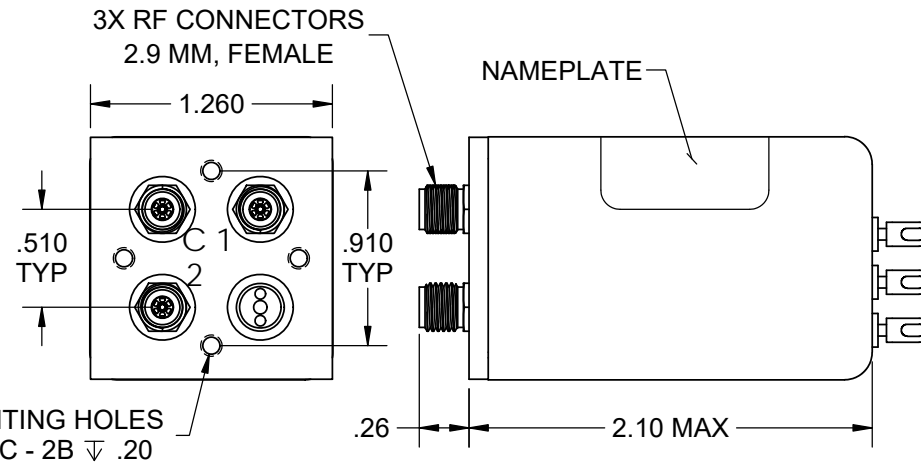
REV. A

STANDARD - 1 SET INDICATORS    OPTION A - NO INDICATORS

OPTION 1 - SOLDER TERMINALS



SCHEMATIC DIAGRAM SHOWN IN POSITION 1



|                       |            |             |              |              |              |
|-----------------------|------------|-------------|--------------|--------------|--------------|
| Frequency (GHz):      | DC to 6.0  | 6.0 to 12.0 | 12.0 to 18.0 | 18.0 to 26.5 | 26.5 to 40.0 |
| VSWR (Max):           | 1.3:1      | 1.4:1       | 1.5:1        | 1.7:1        | 2.0:1        |
| Insertion Loss (Max): | 0.3 dB     | 0.4 dB      | 0.5 dB       | 0.7 dB       | 0.9 dB       |
| Isolation (Min):      | 70 dB Min. | 60 dB Min.  | 60 dB Min.   | 55 dB Min.   | 50 dB Min.   |
| Power (Max):          | 100 WCW    | 70 WCW      | 45 WCW       | 25 WCW       | 10 WCW       |

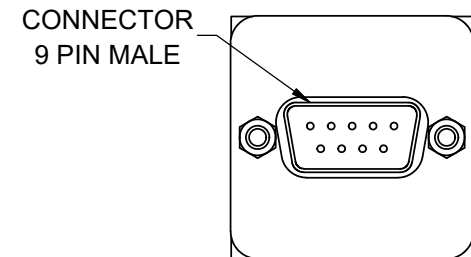
Termination Power: 1 Watt  
 RF Impedance: 50 ohms  
 Voltage: See Table  
 Current: See Table  
 Switching Time: 20 mS Max.

Material: Aluminum (RF Assy)  
 RF Contacts: Break Before Make  
 Finish: Iridite per MIL-DTL-5541, Type II Class 3  
 Cover Black

| STYLE | ENVIRONMENT | OPERATING TEMPERATURE | NON-OPERATING TEMPERATURE | HUMIDITY  |
|-------|-------------|-----------------------|---------------------------|-----------|
| TO    | SHELTERED   | 0°C to +70°C          | -40°C to +100°C           | 0 to 95%  |
| TW    | OUTDOOR     | -40°C to +85°C        | -55°C to +100°C           | 0 to 100% |
| TA    | AIRBORNE    | -54°C to +85°C        | -55°C to +100°C           | 0 to 100% |

RoHS Compliant (except AIRBORNE)

OPTION 4 - D-SUB



| OPTION | VOLTAGE      | CURRENT @ 20° C     |
|--------|--------------|---------------------|
| 8      | 10 TO 14 VDC | 400 mA Max @ 12 VDC |
| 9      | 13 TO 18 VDC | 350 mA Max @ 15 VDC |
| 7      | 21 TO 28 VDC | 300 mA Max @ 24 VDC |
| 2      | 25 TO 32 VDC | 250 mA Max @ 28 VDC |

Model # ex. T  C21BKL      
 Style                      Voltage    Indicators    Interface