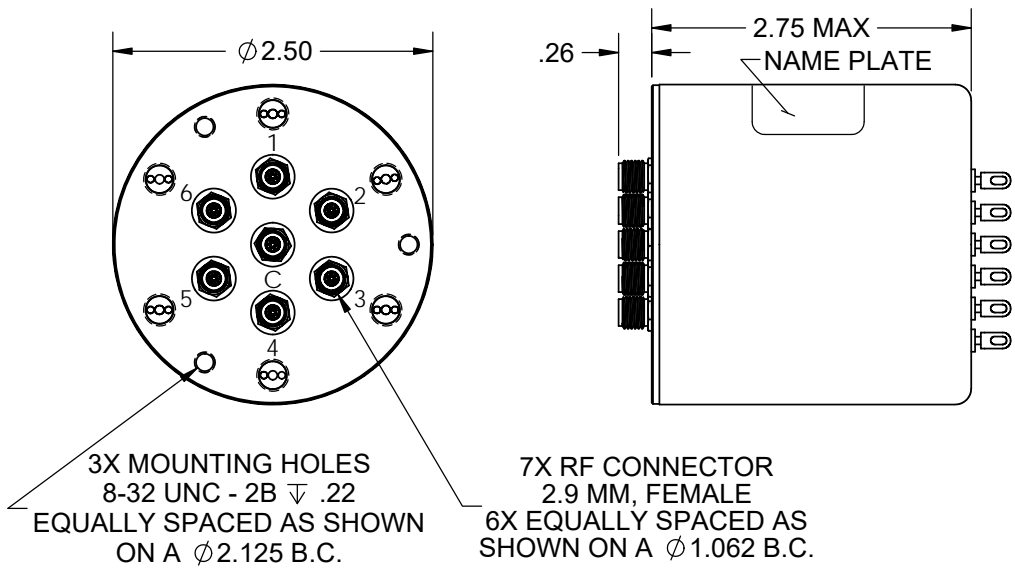




# Coaxial Switch - T TC16BKF Series

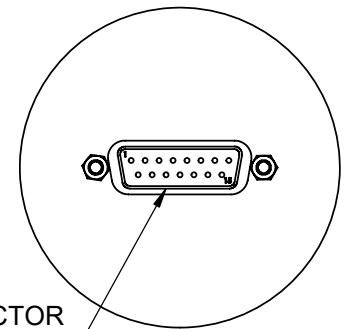
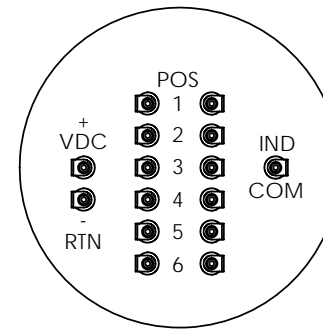
REV. A

## Terminated, SP6T, TTL, 2.9 MM, Normally Open, 1 Set Indicators



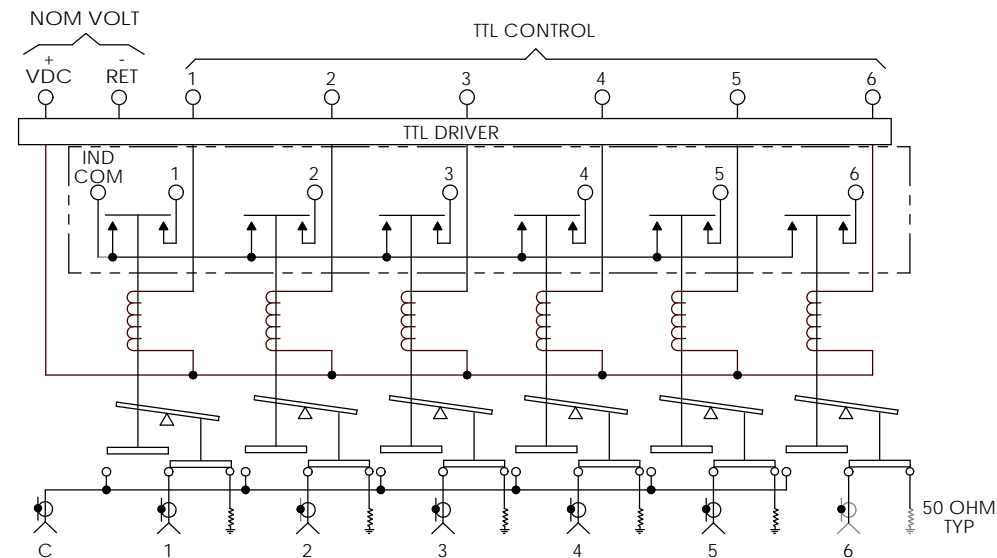
OPTION 1 - SOLDER TERMINALS

OPTION 4 - D-SUB



STANDARD - 1 SET INDICATORS

OPTION A - NO INDICATORS



SCHEMATIC DIAGRAM SHOWN IN NORMALLY OPEN POSITION (DE-ENERGIZED)

Frequency (GHz)	DC to 6	6 to 12	12 to 18	18 to 26.5	26.5 to 40
VSWR (max.)	1.3:1	1.4:1	1.5:1	1.7:1	2.0:1
Insertion Loss (max.)	0.2 dB	0.4 dB	0.5 dB	0.7 dB	0.9 dB
Isolation (min.)	70 dB	60 dB	60 dB	55 dB	50 dB
R.F. Power (max.)	100 WCW	70 WCW	45 WCW	25 WCW	10 WCW

Termination Power:	1 WCW max. per Position
RF Impedance:	50 ohms
Voltage:	See Table
Current:	See Table
TTL Logic:	
Voltage High:	2.4 to 5.5 VDC
Current High:	5 mA max. @ 5 VDC
Switching Time:	20 mS max.

Material:	Aluminum (RF Assy)
RF Contacts:	Break Before Make
Finish:	Iridite per MIL-DTL-5541, Type II Class 3 Cover Black

OPTION	VOLTAGE	CURRENT @ 20° C
8	11 TO 13 VDC	260 mA Max @ 12 VDC
9	14 TO 16 VDC	260 mA Max @ 15 VDC
7	22 TO 26 VDC	225 mA Max @ 24 VDC
2	26 TO 30 VDC	240 mA Max @ 28 VDC

STYLE	ENVIRONMENT	OPERATING TEMPERATURE	NON-OPERATING TEMPERATURE	HUMIDITY
TO	SHELTERED	0°C to +70°C	-40°C to +100°C	0 to 95%
TW	OUTDOOR	-40°C to +85°C	-55°C to +100°C	0 to 100%
TA	AIRBORNE	-54°C to +85°C	-55°C to +100°C	0 to 100%

Model # ex. T TC16BKF [2] [A] [1]

Style Voltage Indicators Interface

RoHS Compliant (except AIRBORNE)