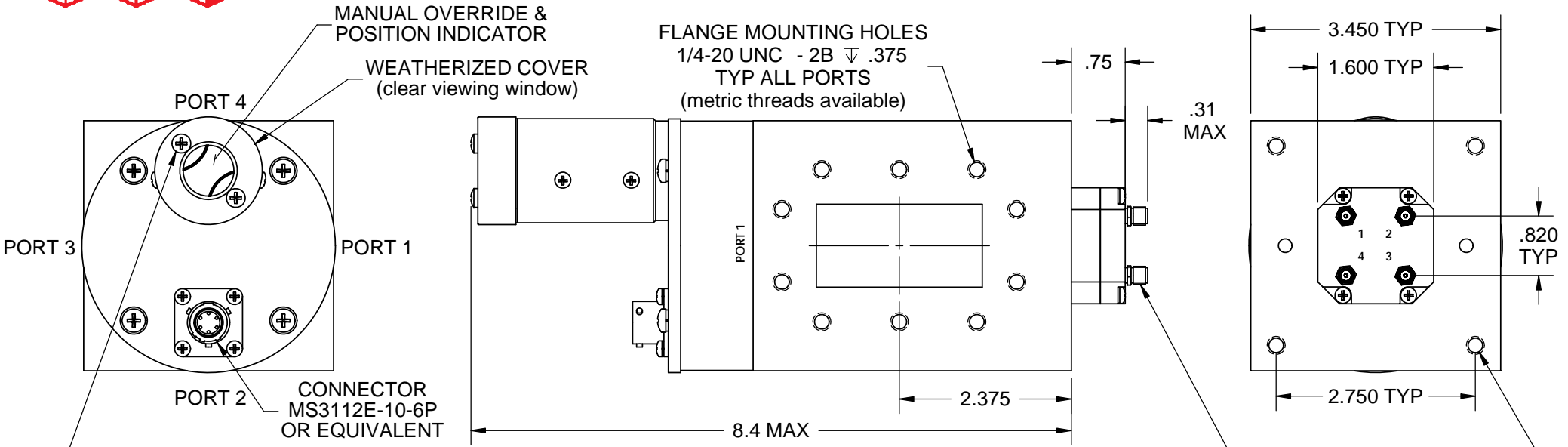




Waveguide Switch - MW Series - WR229 DUAL

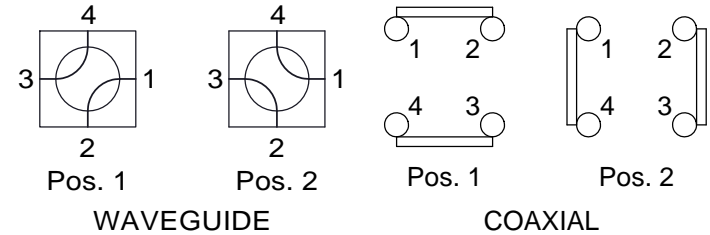
REV. C



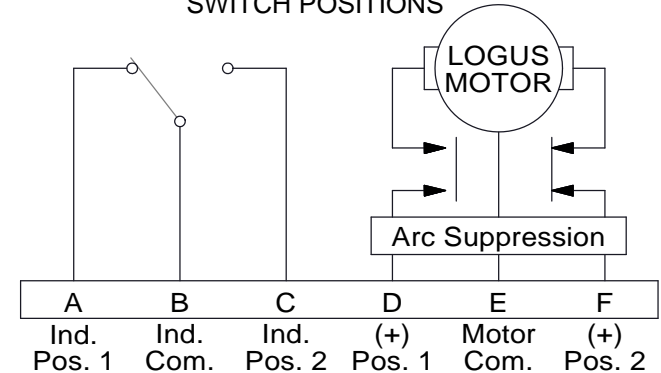
ELECTRICAL CIRCUIT OPTIONS
NO INDICATORS
1 SET INDICATORS
2 SETS INDICATORS
3 SETS INDICATORS
4 SETS INDICATORS
INHIBIT CIRCUITS

4X RF CONNCTORS SMA, FEMALE (other RF Connectors available)

4X MOUNTING HOLES 1/4-20 UNC - 2B ∇ .50 (metric threads available)



SWITCH POSITIONS



LATCHING, SHOWN IN POSITION 1

(See Schematic page for optional Electrical Circuits)

	Wave Guide		Coaxial		
Frequency: (GHz)	3.9 to 4.9	DC to 3	3 to 8	8 to 12.4	12.4 to 18
VSWR: (Max.)	1.05:1	1.2:1	1.3:1	1.4:1	1.5:1
Insertion Loss: (Max.)	0.02 dB	0.2 dB	0.3 dB	0.4 dB	0.5 dB
Isolation: (Min.)	80 dB	80 dB	70 dB	60 dB	60 dB

Flange:	See Flange Table
Voltage:	See Voltage Table
Switching Time	200 mS Max.
Material:	Aluminum (RF Assy)
Finish:	Iridite per MIL-DTL-5541 Paint Dull Black Enamel
Pressure:	30 PSIG (RF Head Only)
Drive:	Patented Logus Motor
Temp:	Operating: -40 °C to +85 °C Non-Operating: -55 °C to +100 °C
Humidity:	0 to 100%, Fully Weatherized

DRIVE OPTIONS
LATCHING
PULSE LATCHING
FAILSAFE
TTL

VOLTAGE OPTIONS
12 VDC
15 VDC
24 VDC
28 VDC
48 VDC
115 VAC
230 VAC

FLANGE OPTIONS
CPR FLAT
CPR GROOVE
CMR