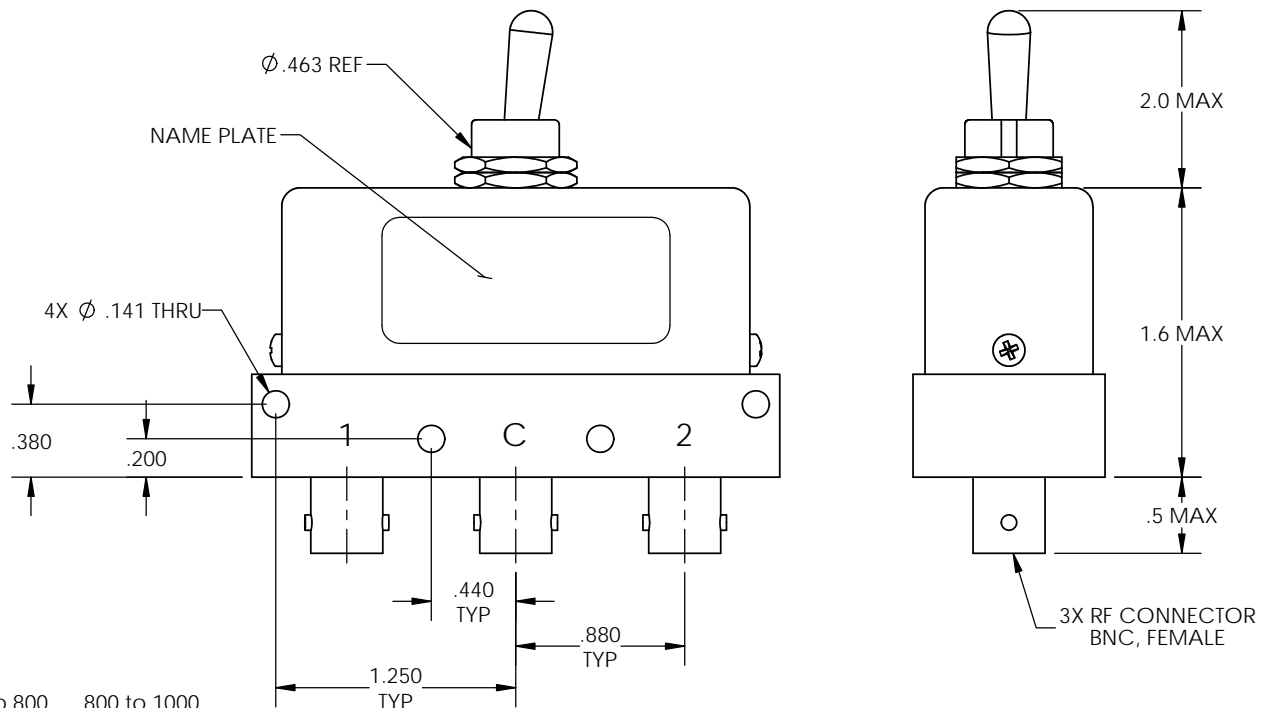
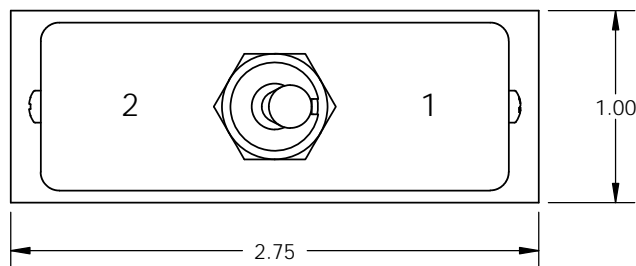
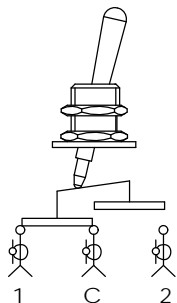


THIS DOCUMENT IS PROPERTY OF LOGUS AND IS DELIVERED ON THE EXPRESS CONDITION THAT IT IS NOT TO BE DISCLOSED, REPRODUCED IN WHOLE OR IN PART, OR USED FOR MANUFACTURE FOR ANYONE OTHER THAN LOGUS WITHOUT ITS PRIOR WRITTEN CONSENT, AND THAT NO RIGHTS ARE GRANTED TO DISCLOSE OR USE ANY INFORMATION CONTAINED IN THIS DOCUMENT

COMMERCIAL COMMODITY - EAR99

ECN	REV	DESCRIPTION	DATE	APPROVED
14340	C	SEE ECN	12/09/20	



	DC to 400	400 to 600	600 to 800	800 to 1000
Frequency (MHz)	DC to 400	400 to 600	600 to 800	800 to 1000
VSWR (max.)	1.07:1	1.07:1	1.15:1	1.3:1
Insertion Loss (max.)	0.07 dB	0.10 dB	0.12 dB	0.15 dB
Isolation (min.)	80 dB	70 dB	70 dB	70 dB
Power (max.)	150 WCW	75 WCW	65 WCW	50 WCW

RF Impedance: 75 ohms
 Material: Aluminum (RF Assy)
 RF Contacts: Break Before Make
 Finish: Iridite per MIL-DTL-5541
 Life: 1,000,000 cycles
 Temperature: Operating 0°C to +70°C
 Non-Operating -40°C to +100°C
 Humidity: 0 to 95% , No Condensation

MODEL		SOC12GAT			
		RoHS COMPLIANT			
UNLESS OTHERWISE SPECIFIED				Coax Switch SPDT, BNC, Manual	
DIMENSIONS ARE IN INCHES					
TOLERANCES					
FRACTIONS	DECIMALS	ANGLES			
±1/64	.XX ±.03 .XXX ±.010	±1/2°			
DRAWN	1/8/16	WKM	SIZE	FSCM NO.	DWG NO.
CHECKED			A	09080	10078-18
APPROVED	1/8/16	BO	SCALE: 1:1	UNIT WT: LBS.	SHEET 1 OF 1
				REV	C