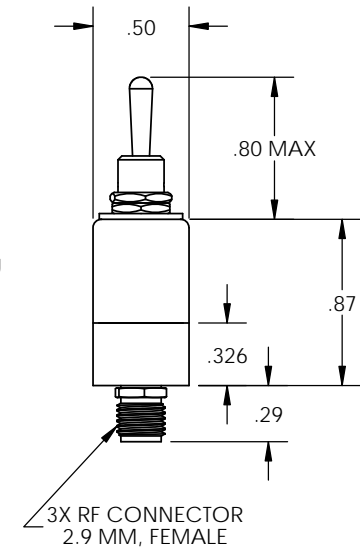
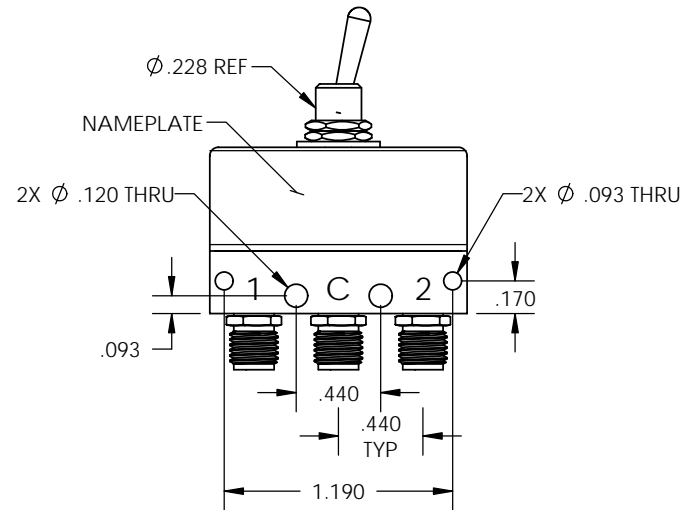
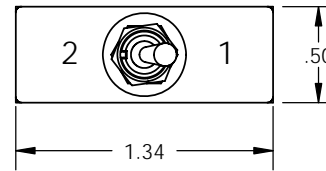
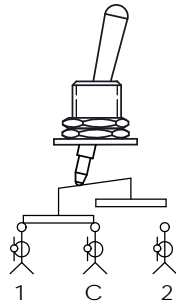


THIS DOCUMENT IS PROPERTY OF LOGUS AND IS DELIVERED ON THE EXPRESS CONDITION THAT IT IS NOT TO BE DISCLOSED, REPRODUCED IN WHOLE OR IN PART, OR USED FOR MANUFACTURE FOR ANYONE OTHER THAN LOGUS WITHOUT ITS PRIOR WRITTEN CONSENT, AND THAT NO RIGHTS ARE GRANTED TO DISCLOSE OR USE ANY INFORMATION CONTAINED IN THIS DOCUMENT

COMMERCIAL COMMODITY - EAR99

ECN	REV	DESCRIPTION	DATE	APPROVED
14402	D	SEE ECN	05/12/21	



Frequency (GHz)	DC to 6	6 to 12	12 to 18	18 to 26.5	26.5 to 40
VSWR (max.)	1.3:1	1.4:1	1.5:1	1.7:1	2.0:1
Insertion Loss (max.)	0.2 dB	0.4 dB	0.5 dB	0.7 dB	0.9 dB
Isolation (min.)	70 dB	60 dB	60 dB	55 dB	50 dB
R.F. Power (max.)	100 WCW	70 WCW	45 WCW	25 WCW	10 WCW

RF Impedance: 50 ohms
 Material: Aluminum (RF Assy)
 RF Contacts: Break Before Make
 Finish: Iridite per MIL-DTL-5541
 Life: 1,000,000 cycles
 Temperature: Operating 0°C to +70°C
 Non-Operating -40°C to +100°C
 Humidity: 0 to 95% , No-Condensation

MODEL			LOGUS MICROWAVE	
SOC12EKT			RoHS COMPLIANT	
UNLESS OTHERWISE SPECIFIED				
DIMENSIONS ARE IN INCHES				
TOLERANCES				
FRACTIONS	DECIMALS	ANGLES		
±1/64	XX ±.03 XXX ±.010	±1/2°		
DRAWN	2/17/16	WKM	SIZE	FSCM NO.
CHECKED			A	09080
APPROVED	2/18/16	BO	DWG NO.	9611-50
			REV	D
SCALE: 1:1			UNIT WT: LBS.	SHEET 1 OF 1

Coax Switch
SPDT, 2.9 MM, Manual