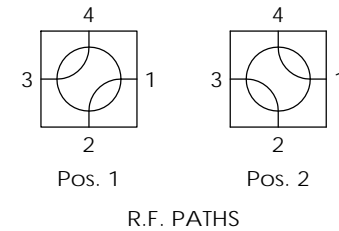
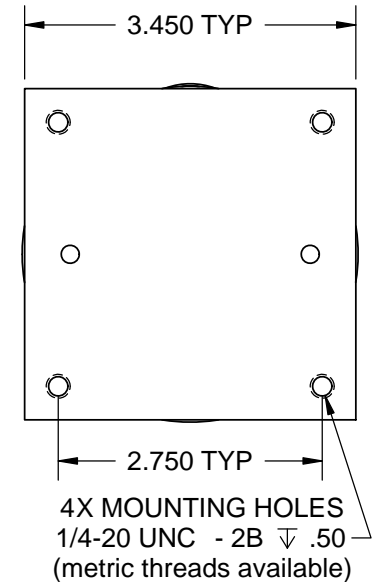
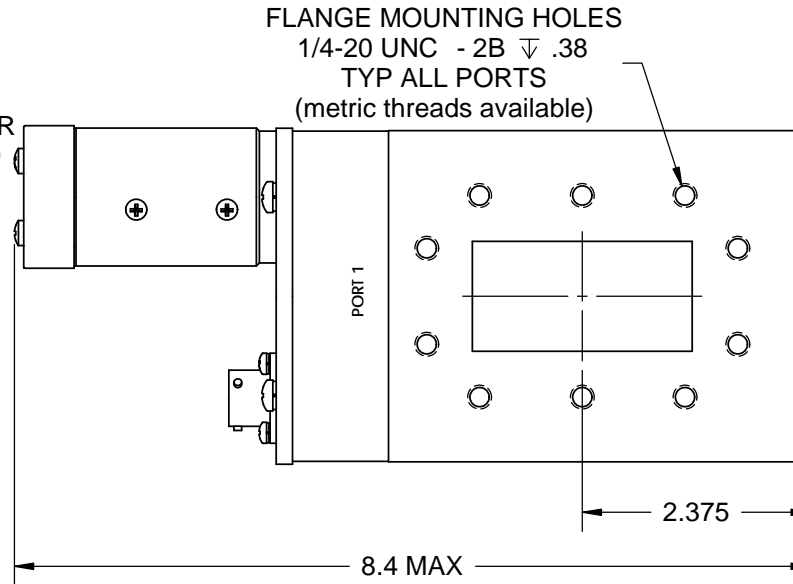
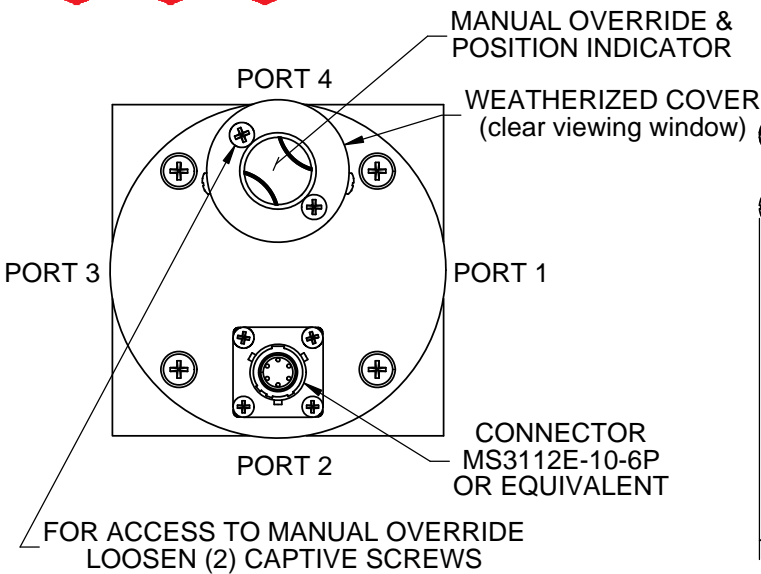




Waveguide Switch - MW Series - WR229

REV. A



Frequency: 3.3 to 4.9 GHz
 VSWR: 1.05:1 Max.
 Insertion Loss: 0.02 dB Max.
 Isolation: 80 dB Min.

Flange: See Flange Table
 Voltage: See Voltage Table
 Switching Time: 200 mS Max.

Material: Aluminum (RF Assy)
 Finish: Iridite per MIL-DTL-5541
 Paint Dull Black Enamel
 Pressure: 30 PSIG (RF Head Only)
 Drive: Patented Logus I Motor

Temp: Operating: -40 °C to +85 °C
 Non-Operating: -55 °C to +100 °C

Humidity: 0 to 100%, Fully Weatherized

| ELECTRICAL CIRCUIT OPTIONS |
|----------------------------|
| NO INDICATORS |
| 1 SET INDICATORS |
| 2 SETS INDICATORS |
| 3 SETS INDICATORS |
| 4 SETS INDICATORS |
| INHIBIT CIRCUITS |

| DRIVE OPTIONS |
|----------------|
| LATCHING |
| PULSE LATCHING |
| FAILSAFE |
| TTL |

| VOLTAGE OPTIONS |
|-----------------|
| 12 VDC |
| 15 VDC |
| 24 VDC |
| 28 VDC |
| 48 VDC |
| 115 VAC |
| 230 VAC |

| FLANGE OPTIONS |
|----------------|
| CPR FLAT |
| CPR GROOVE |
| CMR |

