

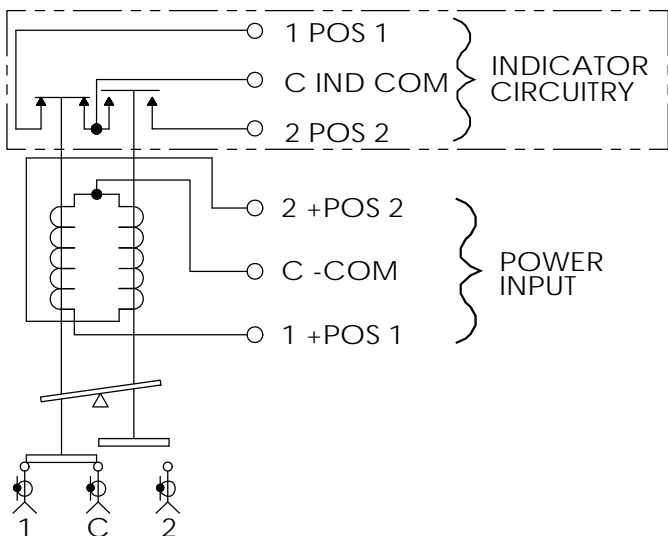


# Coaxial Switch - SOC12EKP Series

## SPDT, 2.9mm, Latching, 1 Set Indicators

REV. A

STANDARD - 1 SET INDICATORS    OPTION A - NO INDICATORS



SCHEMATIC DIAGRAM SHOWN IN POSITION 1

Frequency (GHz):	DC to 6.0	6.0 to 12.0	12.0 to 18.0	18.0 to 26.5	26.5 to 40.0
VSWR (Max):	1.3:1	1.4:1	1.5:1	1.7:1	2.0:1
Insertion Loss (Max):	0.3 dB	0.4 dB	0.5 dB	0.7 dB	0.9 dB
Isolation (Min):	70 dB Min.	60 dB Min.	60 dB Min.	55 dB Min.	50 dB Min.
Power (Max):	100 WCW	70 WCW	45 WCW	25 WCW	10 WCW

RF Impedance: 50 ohms  
 Voltage: See Table  
 Current: See Table  
 Switching Time: 20 mS Max.  
 Pulse Duration: 50 mS Nominal

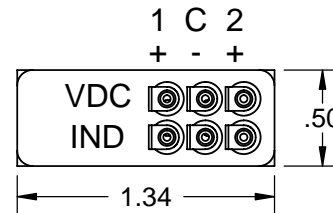
Material: Aluminum (RF Assy)  
 RF Contacts: Break Before Make  
 Finish: Iridite per MIL-DTL-5541, Type II Class 3  
 Cover Black

Temperature: Operating: 0°C to +70°C  
 Non-Operating: -40°C to +100°C  
 Humidity: 0 to 95%, No Condensation

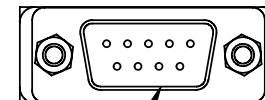
Weatherized Available

RoHS Compliant

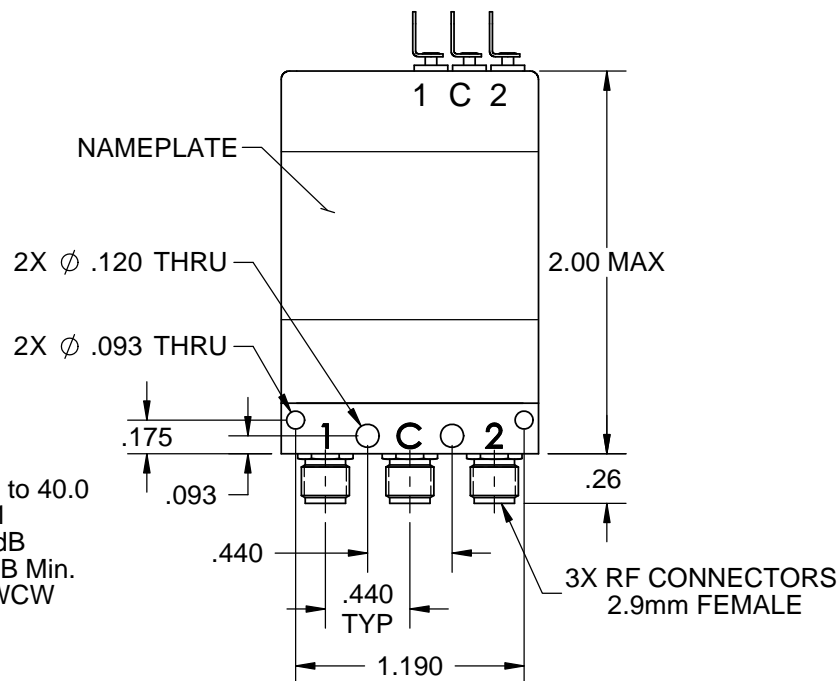
OPTION 1 - SOLDER TERMINALS



OPTION 4 - D-SUB



CONNECTOR 9 PIN MALE



OPTION	VOLTAGE	CURRENT @ 20° C
8	10 TO 14 VDC	300 mA Max @ 12 VDC
9	13 TO 18 VDC	200 mA Max @ 15 VDC
7	21 TO 28 VDC	250 mA Max @ 24 VDC
2	25 TO 32 VDC	180 mA Max @ 28 VDC

Model # ex. SOC12EKP 2 A 1  
 Voltage Indicators Interface