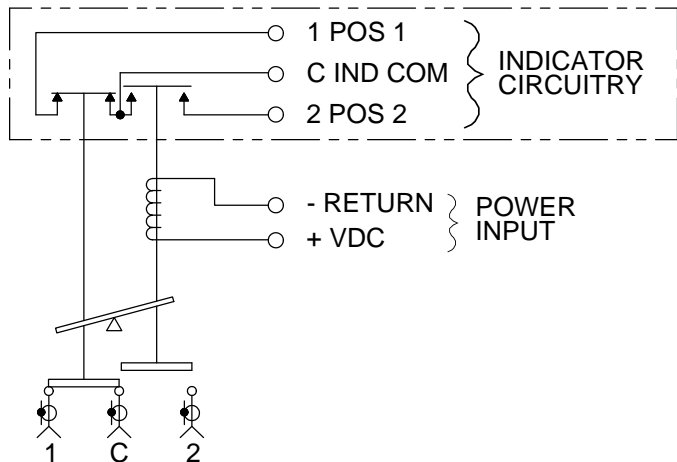




# Coaxial Switch - SOC12EMF Series SPDT, SMA, Failsafe, 1 Set Indicators

REV. A

STANDARD - 1 SET INDICATORS      OPTION A - NO INDICATORS



SCHEMATIC DIAGRAM SHOWN  
IN FAILSAFE POSITION 1

Frequency (GHz):	DC to 3.0	3.0 to 8.0	8.0 to 12.4	12.4 to 18.0
VSWR (Max):	1.2:1	1.3:1	1.4:1	1.5:1
Insertion Loss (Max):	0.2 dB	0.3 dB	0.4 dB	0.5 dB
Isolation (Min):	80 dB Min.	70 dB Min.	60 dB Min.	60 dB Min.
Power (Max):	100 WCW	75 WCW	60 WCW	45 WCW

RF Impedance: 50 ohms  
Voltage: See Table  
Current: See Table  
Switching Time: 20 mS Max.

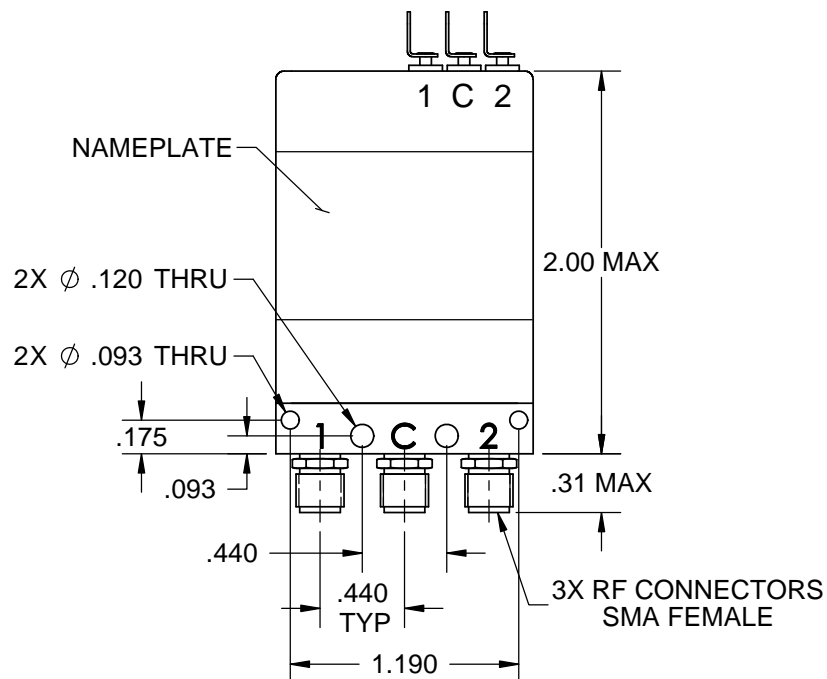
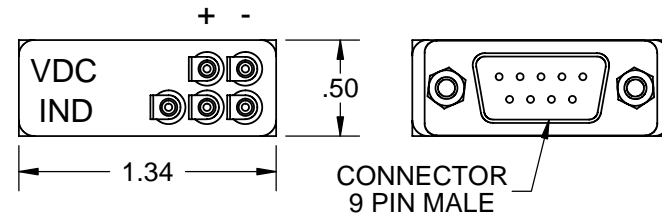
Material: Aluminum (RF Assy)  
RF Contacts: Break Before Make  
Finish: Iridite per MIL-DTL-5541, Type II Class 3  
Cover Black

Temperature: Operating: 0 °C to +70 °C  
Non-Operating: -40 °C to +100 °C  
Humidity: 0 to 95%, No Condensation

Weatherized Available

RoHS Compliant

OPTION 1 - SOLDER TERMINALS      OPTION 4 - D-SUB



OPTION	VOLTAGE	CURRENT @ 20° C
8	11 TO 13 VDC	300 mA Max @ 12 VDC
9	14 TO 16 VDC	250 mA Max @ 15 VDC
7	22 TO 26 VDC	250 mA Max @ 24 VDC
2	26 TO 30 VDC	280 mA Max @ 28 VDC

Model # ex. SOC12EMF 2 A 1  
Voltage Indicators Interface