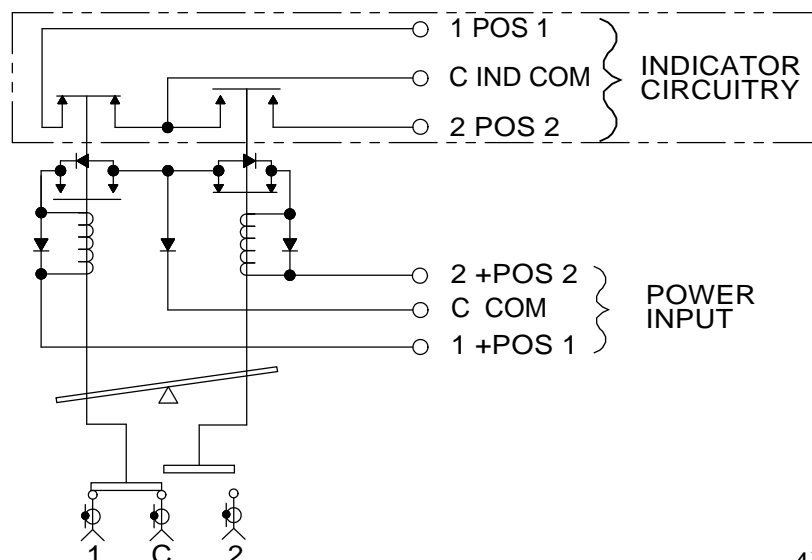




Coaxial Switch - SOC12GNL Series SPDT, Type "N", Latching, 1 Set Indicators

REV. A

STANDARD - 1 SET INDICATORS OPTION A - NO INDICATORS



SCHEMATIC DIAGRAM SHOWN
IN POSITION 1

| | | | |
|-----------------------|---------|---------|-----------|
| Frequency (GHz) | DC to 3 | 3 to 8 | 8 to 12.4 |
| VSWR (Max.) | 1.2:1 | 1.35:1 | 1.5:1 |
| Insertion Loss (Max.) | 0.2 dB | 0.35 dB | 0.5 dB |
| Isolation (Min.) | 80 dB | 70 dB | 60 dB |
| Power (Max.) | 300 WCW | 200 WCW | 150 WCW |

RF Impedance: 50 ohms
Voltage: See Table
Current: See Table
Switching Time: 20 mS Max.

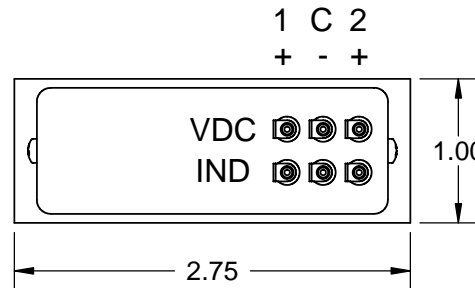
Material: Aluminum (RF Assy)
RF Contacts: Break Before Make
Finish: Iridite per MIL-DTL-5541, Type II Class 3
Cover Black

Temperature: Operating 0 °C to +70 °C
Non-Operating -40 °C to +100 °C
Humidity: 0 to 95% , No Condensation

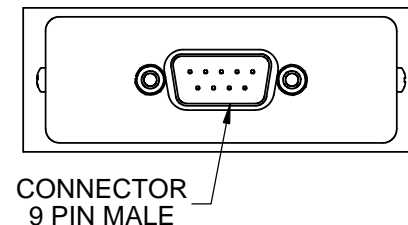
Weatherized Available

RoHS Compliant

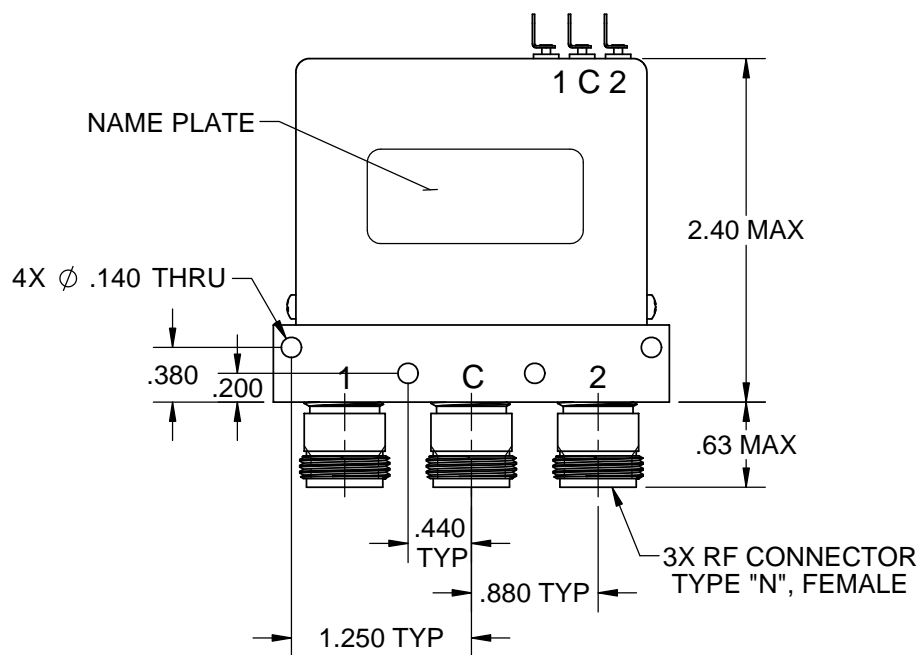
OPTION 1 - SOLDER TERMINALS



OPTION 4 - D-SUB



CONNECTOR
9 PIN MALE



| OPTION | VOLTAGE | CURRENT @ 20° C |
|--------|--------------|---------------------|
| 8 | 10 TO 14 VDC | 300 mA Max @ 12 VDC |
| 9 | 13 TO 18 VDC | 200 mA Max @ 15 VDC |
| 7 | 21 TO 28 VDC | 250 mA Max @ 24 VDC |
| 2 | 25 TO 32 VDC | 180 mA Max @ 28 VDC |

Model # ex. SOC12GNL 2 A 1
| | |
 Voltage Indicators Interface