



# Coaxial Switch - SOC12GNP Series

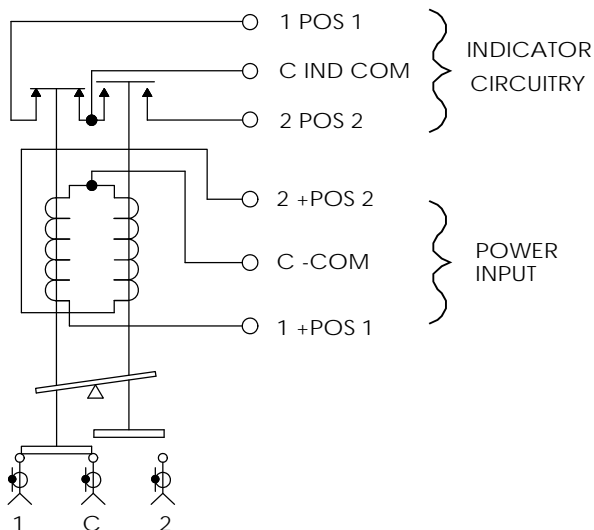
## SPDT, Type "N", Pulse Latching, 1 Set Indicators

STANDARD - 1 SET INDICATORS

OPTION A - NO INDICATORS

OPTION 1 - SOLDER TERMINALS

OPTION 4 - D-SUB



SCHEMATIC DIAGRAM SHOWN IN POSITION 1

Frequency (GHz)	DC to 3	3 to 8	8 to 12.4
VSWR (Max.)	1.2:1	1.35:1	1.5:1
Insertion Loss (Max.)	0.2 dB	0.35 dB	0.5 dB
Isolation (Min.)	80 dB	70 dB	60 dB
Power (Max.)	300 WCW	200 WCW	150 WCW

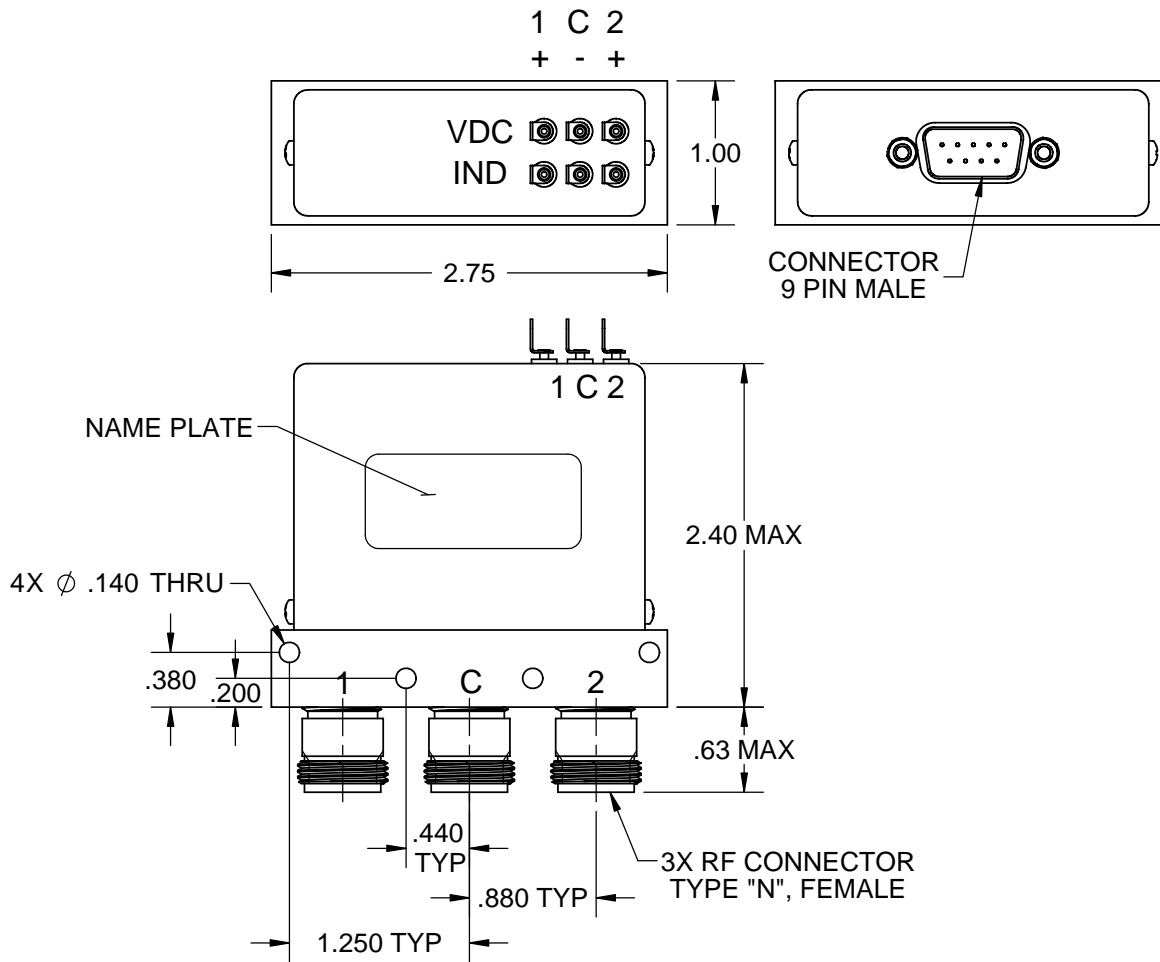
RF Impedance: 50 ohms  
 Voltage: See Table  
 Current: See Table  
 Switching Time: 20 mS Max.  
 Pulse Duration: 50 mS Nominal

Material: Aluminum (RF Assy)  
 RF Contacts: Break Before Make  
 Finish: Iridite per MIL-DTL-5541, Type II Class 3  
 Cover Black

Temperature: Operating 0 °C to +70 °C  
 Non-Operating -40 °C to +100 °C  
 Humidity: 0 to 95% , No Condensation

Weatherized Available

RoHS Compliant



OPTION	VOLTAGE	CURRENT @ 20° C
8	10 TO 14 VDC	300 mA Max @ 12 VDC
9	13 TO 18 VDC	200 mA Max @ 15 VDC
7	21 TO 28 VDC	250 mA Max @ 24 VDC
2	25 TO 32 VDC	180 mA Max @ 28 VDC

Model # ex. SOC12GNL 2 A 1  
 | | |  
 Voltage Indicators Interface