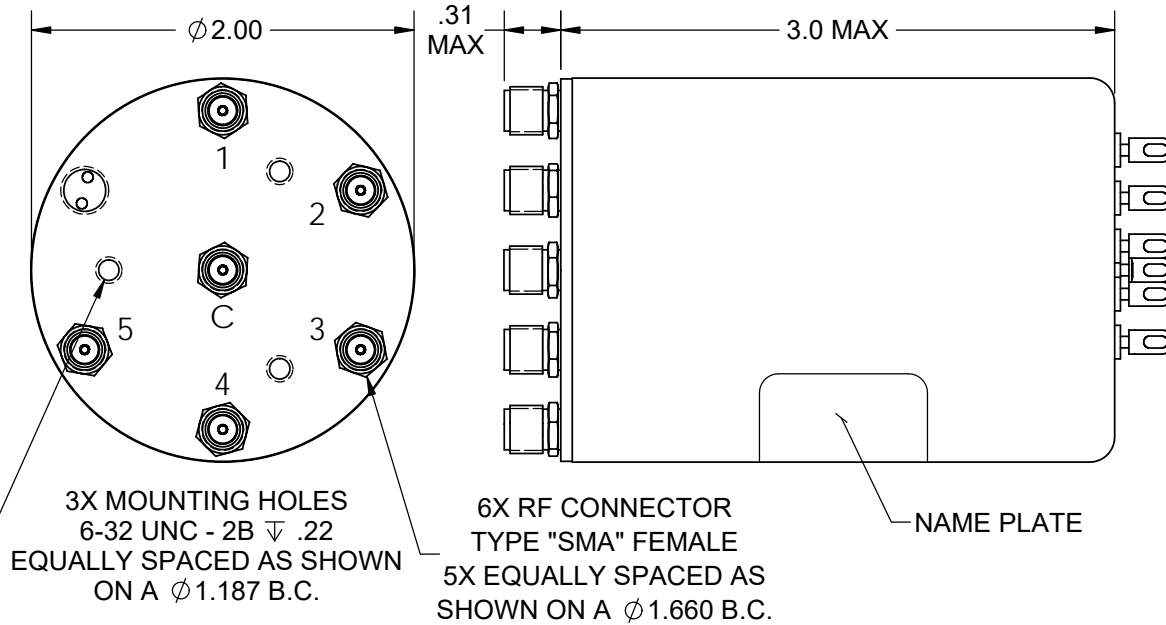




# Coaxial Switch - S □ TC15KML Series

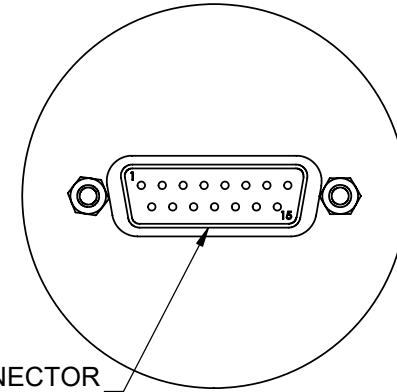
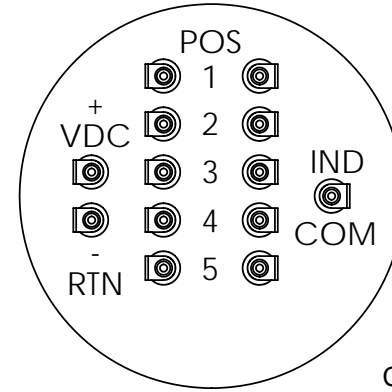
## SP5T, TTL, SMA, Latching, 1 Set Indicators

REV. B



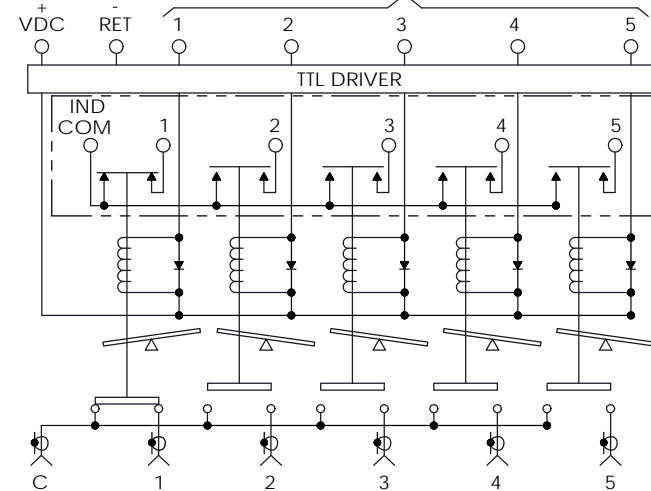
OPTION 1 - SOLDER TERMINALS

OPTION 4 - D-SUB



STANDARD - 1 SET INDICATORS    OPTION A - NO INDICATORS

TTL CONTROL



SCHEMATIC SHOWN IN POSITION 1

|                       |            |            |             |              |
|-----------------------|------------|------------|-------------|--------------|
| Frequency (GHz):      | DC to 3.0  | 3.0 to 8.0 | 8.0 to 12.4 | 12.4 to 18.0 |
| VSWR (Max):           | 1.2:1      | 1.3:1      | 1.4:1       | 1.5:1        |
| Insertion Loss (Max): | 0.2 dB     | 0.3 dB     | 0.4 dB      | 0.5 dB       |
| Isolation (Min):      | 80 dB Min. | 70 dB Min. | 60 dB Min.  | 60 dB Min.   |
| Power (Max):          | 100 WCW    | 75 WCW     | 60 WCW      | 45 WCW       |

|                 |                   |
|-----------------|-------------------|
| RF Impedance:   | 50 ohms           |
| Voltage:        | See Table         |
| Current:        | See Table         |
| TTL Logic:      |                   |
| Voltage High:   | 2.4 to 5.5 VDC    |
| Current High:   | 5 mA max. @ 5 VDC |
| Switching Time: | 20 mS Max.        |

|              |  |
|--------------|--|
| Material:    | Aluminum (RF Assy)                                       |
| RF Contacts: | Break Before Make  |
| Finish:      | Iridite per MIL-DTL-5541, Type II Class 3<br>Cover Black |

| STYLE | ENVIRONMENT | OPERATING TEMPERATURE | NON-OPERATING TEMPERATURE | HUMIDITY  |
|-------|-------------|-----------------------|---------------------------|-----------|
| SO    | SHELTERED   | 0 °C to +70 °C        | -40 °C to +100 °C         | 0 to 95%  |
| SW    | OUTDOOR     | -40 °C to +85 °C      | -55 °C to +100 °C         | 0 to 100% |
| SA    | AIRBORNE    | -54 °C to +85 °C      | -55 °C to +100 °C         | 0 to 100% |

| OPTION | VOLTAGE      | CURRENT @ 20° C     |
|--------|--------------|---------------------|
| 8      | 10 TO 14 VDC | 500 mA Max @ 12 VDC |
| 9      | 13 TO 18 VDC | 350 mA Max @ 15 VDC |
| 7      | 21 TO 28 VDC | 225 mA Max @ 24 VDC |
| 2      | 25 TO 32 VDC | 240 mA Max @ 28 VDC |

Model # ex. S □ TC15KML [2] [A] [1]

Style                  Voltage Indicators          Interface