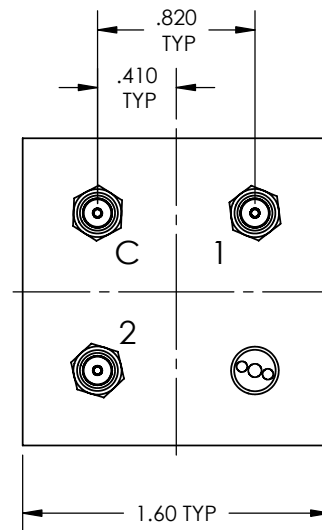
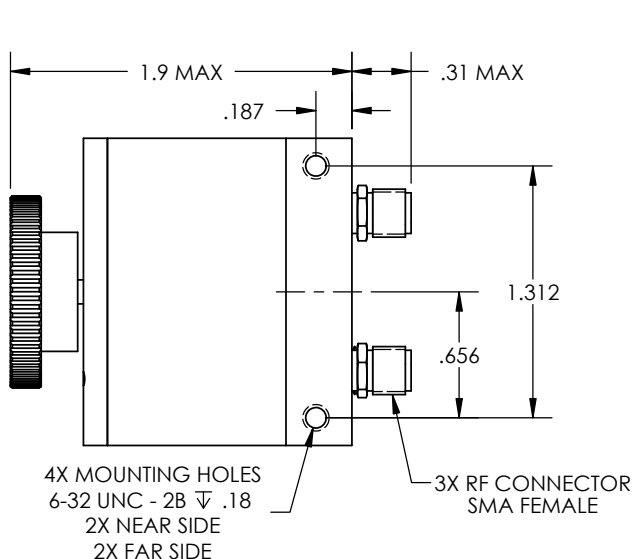
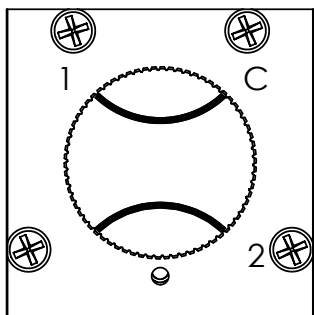


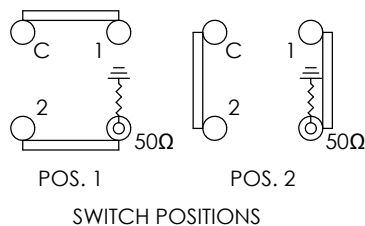


Coaxial Switch - TMC12FMT Terminated, SPDT, SMA, Manual



Frequency (GHz)	DC to 3	3 to 8	8 to 12.4	12.4 to 18
VSWR (max.)	1.2:1	1.3:1	1.4:1	1.5:1
Insertion Loss (max.)	0.2 dB	0.3 dB	0.4 dB	0.5 dB
Isolation (min.)	80 dB	70 dB	60 dB	60 dB
Power (max.)	100 WCW	75 WCW	60 WCW	45 WCW

RF Impedance: 50 ohms
 Material: Aluminum (RF Assy)
 RF Contacts: Break Before Make
 Finish: Iridite per MIL-DTL-5541, Type II Class 3
 Paint Dull Black Enamel
 Temperature: Operating 0°C to +70°C
 Non-Operating -40°C to +100°C
 Humidity: 0 to 95% , No-Condensation



RoHS Compliant