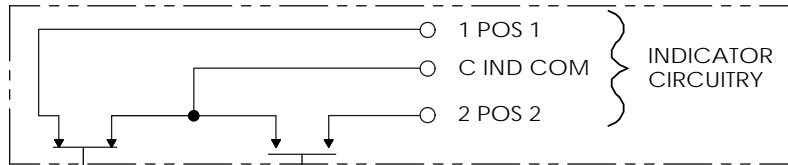




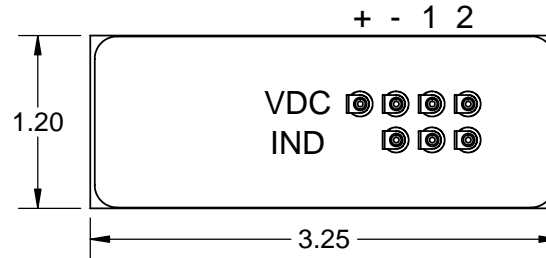
# Coaxial Switch - TOTC12GNL Series

## Terminated, SPDT, TTL, Type "N", Latching, 1 Set Indicators

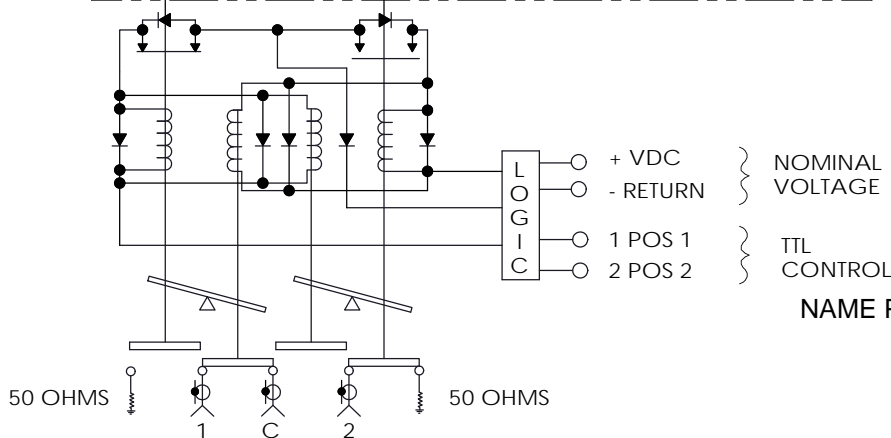
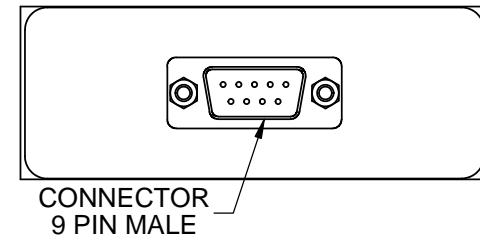
STANDARD - 1 SET INDICATORS    OPTION A - NO INDICATORS



OPTION 1 - SOLDER TERMINALS



OPTION 4 - D-SUB



SCHEMATIC DIAGRAM SHOWN IN POSITION 1

	DC to 3	3 to 8	8 to 12.4	2X Ø .141 THRU
Frequency (GHz)	DC to 3	3 to 8	8 to 12.4	
VSWR (Max.)	1.2:1	1.35:1	1.5:1	
Insertion Loss (Max.)	0.2 dB	0.35 dB	0.5 dB	
Isolation (Min.)	80 dB	70 dB	60 dB	
Power (Max.)	300 WCW	200 WCW	150 WCW	

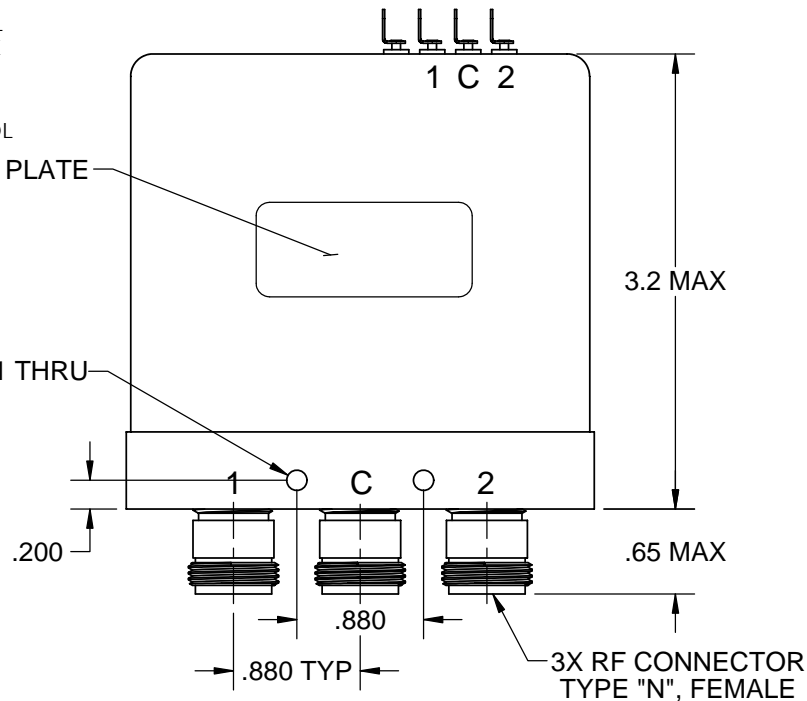
Termination: 1 Watt  
 RF Impedance: 50 ohms  
 Voltage: See Table  
 Current: See Table  
 TTL Logic:  
 Voltage High: 2.4 to 5.5 VDC  
 Current High: 5 mA max. @ 5 VDC  
 Switching Time: 20 mS Max.

Material: Aluminum (RF Assy)  
 RF Contacts: Break Before Make  
 Finish: Iridite per MIL-DTL-5541, Type II Class 3  
 Cover Black

Temperature: Operating 0 °C to +70 °C  
 Non-Operating -40 °C to +100 °C  
 Humidity: 0 to 95% , No Condensation

Weatherized Available

RoHS Compliant



OPTION	VOLTAGE	CURRENT @ 20° C
8	10 TO 14 VDC	300 mA Max @ 12 VDC
9	13 TO 18 VDC	200 mA Max @ 15 VDC
7	21 TO 28 VDC	250 mA Max @ 24 VDC
2	25 TO 32 VDC	180 mA Max @ 28 VDC

Model # ex. TOTC12GNL 2 A 1  
 Voltage Indicators Interface