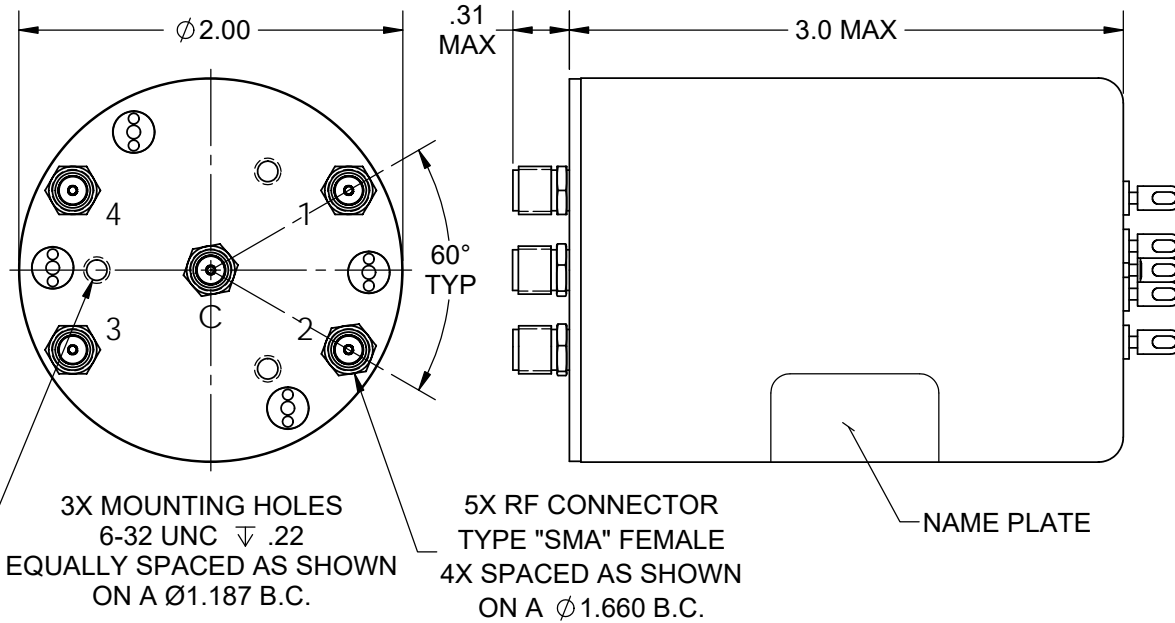




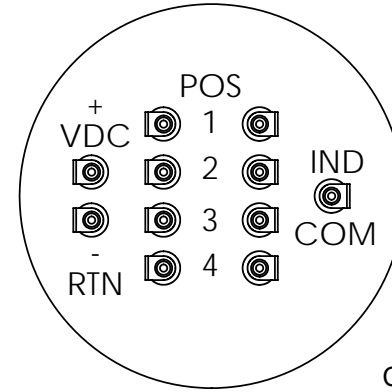
# Coaxial Switch - T TC14KMF Series

REV. A

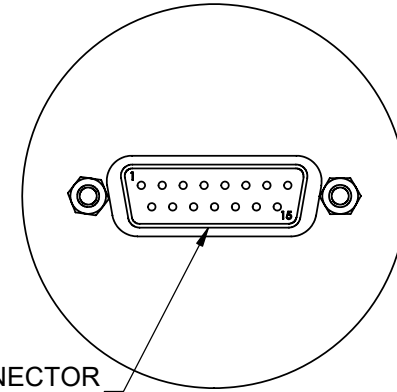
## Terminated, SP4T, TTL, SMA, Normally Open, 1 Set Indicators



OPTION 1 - SOLDER TERMINALS



OPTION 4 - D-SUB

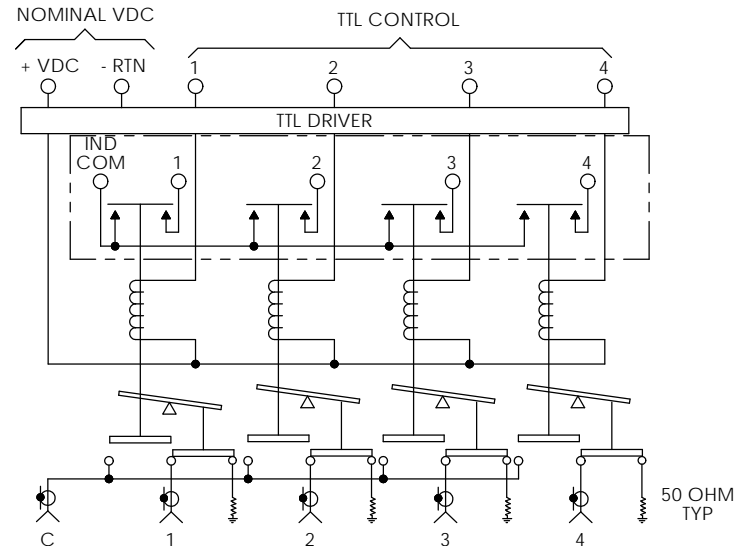


Frequency (GHz):	DC to 3.0	3.0 to 8.0	8.0 to 12.4	12.4 to 18.0
VSWR (Max):	1.2:1	1.3:1	1.4:1	1.5:1
Insertion Loss (Max):	0.2 dB	0.3 dB	0.4 dB	0.5 dB
Isolation (Min):	80 dB Min.	70 dB Min.	60 dB Min.	60 dB Min.
Power (Max):	100 WCW	75 WCW	60 WCW	45 WCW

Termination Power: 1 Watt Max. per Position  
 RF Impedance: 50 ohms  
 Voltage: See Table  
 Current: See Table  
 TTL Logic:  
 Voltage High: 2.4 to 5.5 VDC  
 Current High: 5 mA max. @ 5 VDC  
 Switching Time: 20 mS Max.

Material: Aluminum (RF Assy)  
 RF Contacts: Break Before Make  
 Finish: Iridite per MIL-DTL-5541, Type II Class 3  
 Cover Black

STANDARD - 1 SET INDICATORS OPTION A - NO INDICATORS



SCHEMATIC DIAGRAM SHOWN IN NORMALLY OPEN POSITION (DE-ENERGIZED)

OPTION	VOLTAGE	CURRENT @ 20° C
8	11 TO 13 VDC	260 mA Max @ 12 VDC
9	14 TO 16 VDC	260 mA Max @ 15 VDC
7	22 TO 26 VDC	225 mA Max @ 24 VDC
2	26 TO 30 VDC	240 mA Max @ 28 VDC

STYLE	ENVIRONMENT	OPERATING TEMPERATURE	NON-OPERATING TEMPERATURE	HUMIDITY
TO	SHELTERED	0°C to +70°C	-40°C to +100°C	0 to 95%
TW	OUTDOOR	-40°C to +85°C	-55°C to +100°C	0 to 100%
TA	AIRBORNE	-54°C to +85°C	-55°C to +100°C	0 to 100%

RoHS Compliant (except AIRBORNE)

Model # ex. T TC14KMF 2 A 1  
 Style Voltage Indicators Interface