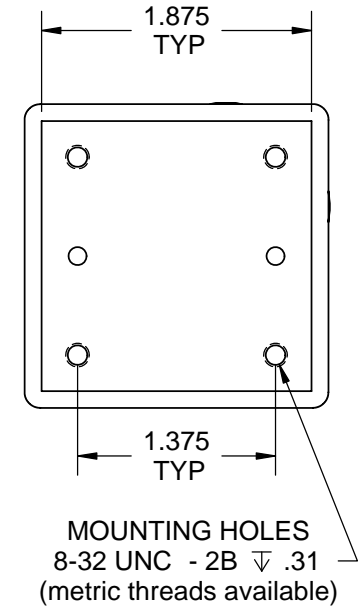
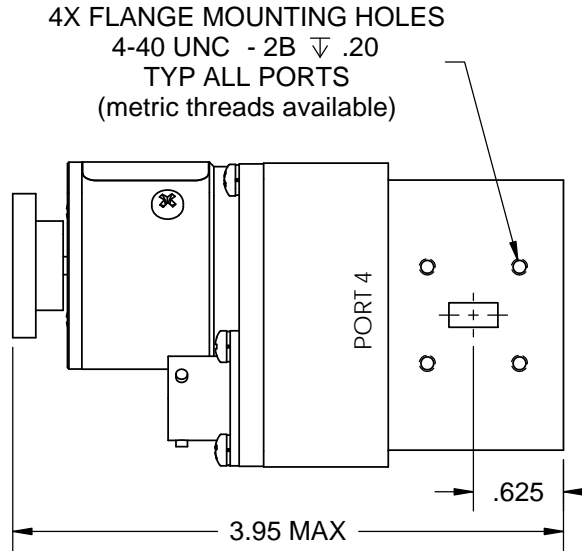
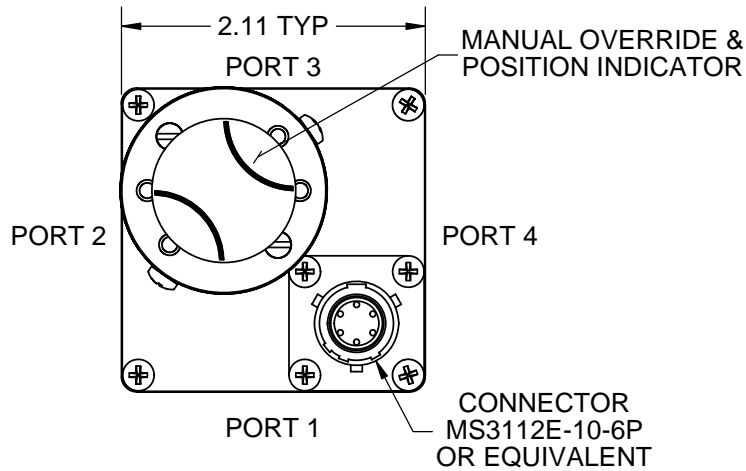




# Waveguide Switch - LM Series - WR34

REV. A



Frequency: 22.0 to 33.0 GHz  
VSWR: 1.15:1 Max.  
Insertion Loss: 0.15 dB Max.  
Isolation: 60 dB Min.

Flange: See Flange Table  
Voltage: See Voltage Table  
Switching Time: 80 mS Max.

Material: Aluminum (RF Assy)  
Finish: Iridite per MIL-DTL-5541  
Paint Dull Black Enamel  
Pressure: 30 PSIG (RF Head Only)  
Drive: Patented Logus I Motor

Temp: Operating: -40 °C to +85 °C  
Non-Operating: -55 °C to +100 °C  
Humidity: 0 to 95%, No Condensation

RoHS Available

| ELECTRICAL CIRCUIT OPTIONS |
|----------------------------|
| NO INDICATORS              |
| 1 SET INDICATORS           |
| 2 SETS INDICATORS          |
| 3 SETS INDICATORS          |
| 4 SETS INDICATORS          |
| INHIBIT CIRCUITS           |

| DRIVE OPTIONS  |
|----------------|
| LATCHING       |
| PULSE LATCHING |
| FAILSAFE       |
| TTL            |

| VOLTAGE OPTIONS |
|-----------------|
| 12 VDC          |
| 15 VDC          |
| 24 VDC          |
| 28 VDC          |
| 48 VDC          |
| 115 VAC         |
| 230 VAC         |

| FLANGE OPTIONS |
|----------------|
| COVER          |
| GROOVE         |
| CHOKE          |

