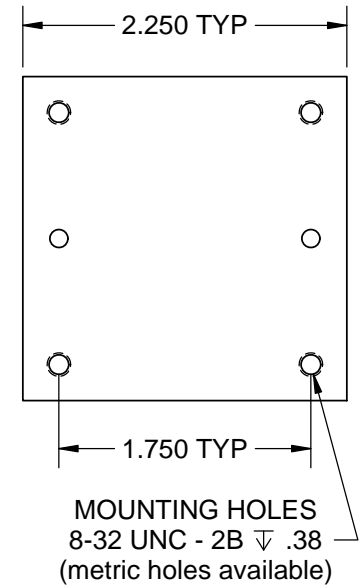
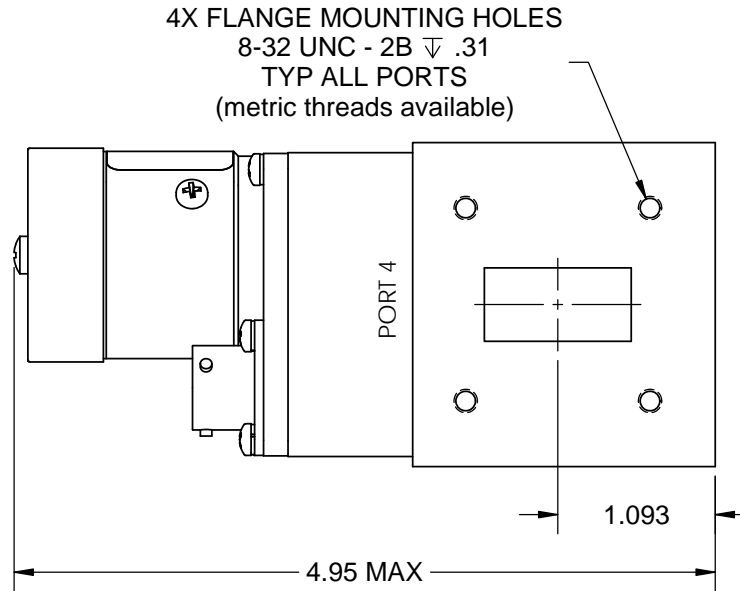
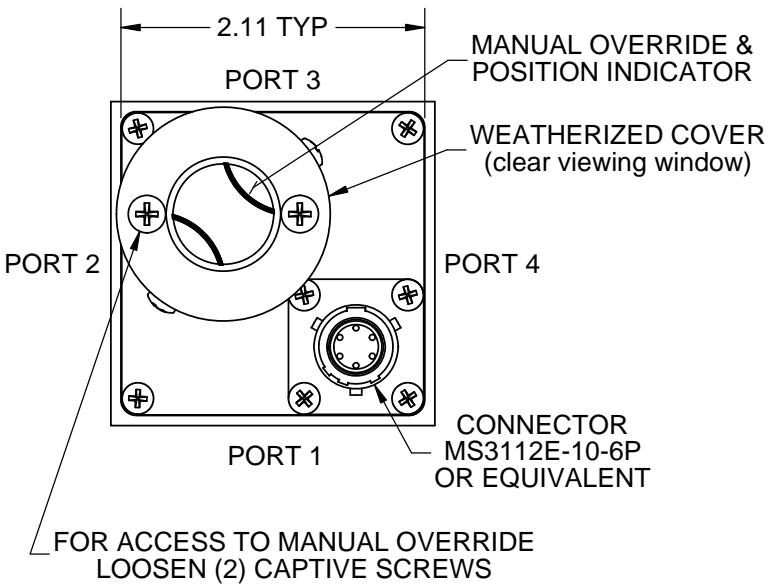




Waveguide Switch - LW Series - WR102

REV. A



Frequency: 7.0 to 11.0 GHz
 VSWR: 1.10:1 Max.
 Insertion Loss: 0.06 dB Max.
 Isolation: 80 dB Min.

Flange: See Flange Table
 Voltage: See Voltage Table
 Switching Time: 100 mS Max.

Material: Aluminum (RF Assy)
 Finish: Iridite per MIL-DTL-5541
 Paint Dull Black Enamel
 Pressure: 30 PSIG (RF Head Only)
 Drive: Patented Logus I Motor

Temp: Operating: -40 °C to +85 °C
 Non-Operating: -55 °C to +100 °C
 Humidity: 0 to 100%, Fully Weatherized

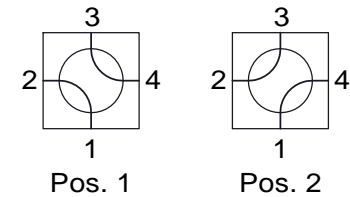
RoHS Available

ELECTRICAL CIRCUIT OPTIONS	
NO INDICATORS	
1 SET INDICATORS	
2 SETS INDICATORS	
3 SETS INDICATORS	
4 SETS INDICATORS	
INHIBIT CIRCUITS	

DRIVE OPTIONS	
LATCHING	
PULSE LATCHING	
FAILSAFE	
TTL	

VOLTAGE OPTIONS	
12 VDC	
15 VDC	
24 VDC	
28 VDC	
48 VDC	
115 VAC	
230 VAC	

FLANGE OPTIONS	
COVER	
GROOVE	
CHOKE	



R.F. PATHS

